



## Rhapsody61M Electronic Keyboard 61 Midi Set

Ref. nr.: 130.051



INSTRUCTION MANUAL  
GEBRUIKSAANWIJZING  
BEDIENUNGSANLEITUNG  
MANUAL DE INSTRUCCIONES  
MANUEL D'INSTRUCTIONS  
INSTRUKCJA OBSŁUGI  
NÁVOD K POUŽITÍ

# ENGLISH

**Congratulations** to the purchase of this Max Music product. Please read this manual thoroughly prior to using the product in order to benefit fully from all features.

Read the manual prior to using the product. Follow the instructions in order not to invalidate the warranty. Take all precautions to avoid fire and/or electrical shock. Repairs must only be carried out by a qualified technician in order to avoid electrical shock. Keep the manual for future reference.

- Prior to using the product, please ask advice from a specialist. When the unit is switched on for the first time, some smell may occur. This is normal and will disappear after a while.
- The unit contains voltage carrying parts. Therefore do NOT open the housing.
- Do not place metal objects or pour liquids into the product. This may cause electrical shock and malfunction.
- Do not place the product near heat sources such as radiators, etc. Do not place the unit on a vibrating surface. Do not cover the ventilation holes.
- The product is not suitable for continuous use.
- Be careful with the mains lead and do not damage it. A faulty or damaged mains lead can cause electrical shock and malfunction.
- When unplugging the product from a mains outlet, always pull the plug, never the lead.
- Do not plug or unplug the unit with wet hands.
- If the plug and/or the mains lead are damaged, they need to be replaced by a qualified technician.
- If the product is damaged to such an extent that internal parts are visible, do NOT plug the unit into a mains outlet and DO NOT switch the product on. Contact your dealer. Do NOT connect the product to a rheostat or dimmer.
- To avoid fire and shock hazard, do not expose the product to rain and moisture.
- All repairs should be carried out by a qualified technician only.
- Connect the product to an earthed mains outlet (220-240Vac/50Hz) protected by a 10-16A fuse.
- During a thunderstorm or if the product will not be used for a longer period of time, unplug it from the mains. The rule is: Unplug it from the mains when not in use.
- If the product has not been used for a longer period of time, condensation may occur. Let the unit reach room temperature before you switch it on. Never use the product in humid rooms or outdoors.
- During operation, the housing may become hot.
- To prevent accidents in companies, you must follow the applicable guide lines and follow the instructions.
- Do not repeatedly switch the product on and off. This shortens the life time.
- Keep the unit out of the reach of children. Do not leave the unit unattended.
- Do not use cleaning sprays to clean switches. The residues of these sprays cause deposits of dust and grease. In case of malfunction, always seek advice from a specialist.
- Only operate the product with clean hands.
- Do not force the controls.
- If the product has fallen, always have it checked by a qualified technician before you switch the product on again.
- Do not use chemicals to clean the unit. They damage the varnish. Only clean the product with a dry cloth.
- Keep away from electronic equipment that may cause interference.
- Only use original spares for repairs, otherwise serious damage and/or dangerous radiation may occur.
- Switch the product off prior to unplugging it from the mains and/or other equipment. Unplug all leads and cables prior to moving the product.
- Make sure that the mains lead cannot be damaged when people walk on it. Check the mains lead before every use for damages and faults!
- The mains voltage is 220-240Vac/50Hz. Check if power outlet match. If you travel, make sure that the mains voltage of the country is suitable for this product.
- Keep the original packing material so that you can transport the product in safe conditions



This mark attracts the attention of the user to high voltages that are present inside the housing and that are of sufficient magnitude to cause a shock hazard.



This mark attracts the attention of the user to important instructions that are contained in the manual and that he should read and adhere to.

The product has been certified CE. It is prohibited to make any changes to the product. They would invalidate the CE certificate and their guarantee!

**NOTE:** To make sure that the unit will function normally, it must be used in rooms with a temperature between 5°C/41°F and 35°C/95°F.



Electric products must not be put into household waste. Please bring them to a recycling centre. Ask your local authorities or your dealer about the way to proceed. The specifications are typical. The actual values can slightly change from one unit to the other. Specifications can be changed without prior notice.

*Do not attempt to make any repairs yourself. This would invalid your warranty. Do not make any changes to the product. This would also invalid your warranty. The warranty is not applicable in case of accidents or damages caused by inappropriate use or disrespect of the warnings contained in this manual. Max cannot be held responsible for personal injuries caused by a disrespect of the safety recommendations and warnings. This is also applicable to all damages in whatever form.*

## UNPACKING INSTRUCTION

---

**CAUTION!** Carefully unpack the box upon receipt. Check the contents to ensure that all parts are present and have been received in good condition. Notify the shipper immediately and retain packaging material if any parts appear damaged from shipping or the package itself shows signs of mishandling. Save the package and all packaging materials. If the product must be returned, it is important that the product is returned in the original factory box and packaging. If the device has been exposed to drastic temperature fluctuation (e.g. after transportation), do not switch it on immediately. The arising condensation water might damage your device. Leave the device switched off until it has reached room temperature.

## POWERSUPPLY

---

The label on the back/under side of the product indicates the mains voltage to which it must be connected. Check that the mains voltage corresponds to this. Any other voltage than the one indicated may cause irreparable damage to the unit. The unit must also be connected directly to the mains voltage and no dimmer or adjustable power supply may be used.



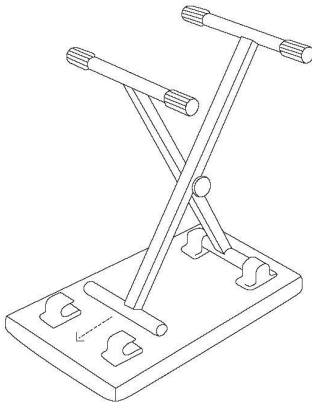
Always connect the device to a protected circuit (circuit breaker or fuse). Make sure the device has an appropriate electrical ground to avoid the risk of electrocution or fire.

## ASSEMBLY INSTRUCTIONS BENCH

---

1. Place the seat upside down.
2. Lift both the left and right legs upwards.
3. Slide leg supports into brackets to lock the legs in position.
4. Rotate the caps to stabilize the bench.

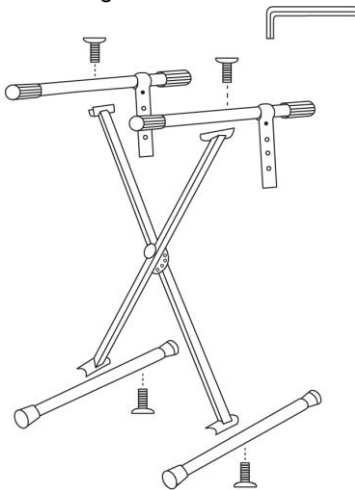
**NOTE:** make sure the leg supports are sitting all the way inside the bracket.  
Sit down and play music like never before.



## ASSEMBLY INSTRUCTIONS STAND

---

1. Place the feet on the floor in the position indicated in the illustration.
2. Using the screws, secure the X bracket onto the feet using the Allen wrench.
3. Place the upper support bars onto the upper part of the bracket and secure with the screws using the Allen wrench. Do not overtighten.



# CONTROLS KEYBOARD



1. **SPEAKERS**  
Loudspeakers to reproduce the sound of the music played. sound level is determined on the basis of the volume setting.
2. **POWER**  
Press to turn power on/off.
3. **MASTER VOLUME**  
Press the **[Master Vol +]** or **[Master Vol -]** button to raise or lower the master volume. The keyboard had 9 levels of volume from 00-08. Press both simultaneously to reset to default value.
4. **RYTHME VOLUME**  
Press the **[Rythme Vol +]** or **[Rythme Vol -]** button to raise or lower the accompt volume. There are 9 levels of volume. The default volume is 06. Press both simultaneously to reset to default value.
5. **CHORD VOLUME**  
Press the **[Chord Vol +]** or **[Chord Vol -]** button to raise or lower the accompt volume. There are 9 levels of volume. The default volume is 07. Press both simultaneously to reset to default value.
6. **TEMPO**  
Press the **[Tempo +]** or **[Tempo -]** button to raise or lower the tempo of Rhythm, Beat or Demo. The default value of tempo is 120. The adjustment area is 30-240. Press both simultaneously to reset to default value.
7. **PLAY**  
Press the **[Play]** button to playback recorded notes or Rhythms.
8. **RECORD**  
Press **[REC]** to enable the recording function, "rEC" will show on the display.
9. **PROGRAM**  
Press **[Program]** to enable the Rhythm programming function.
10. **BEAT**  
There are 4 kinds of beat voice stored on the keyboard: 1/4 beat, 2/4 beat, 3/4 beat and 4/4 beat. Press the **[Beat]** button for the different beats.
11. **START/STOP**  
Press the **[Start/Stop]** button to play the Rhythm, press the **[Play/Stop]** button again to exit this function.
12. **SYNC**  
Press the **[Sync]** button to enter the Sync function before the Rhythm was played. Press any key of 19 keys in left hand to start Rhythm playback. The Beat point shines on the LCD. The display shows the current tone or Rhythm's. If the chord function has started, press the corresponding key in 19 keys chord area, the auto chord starts. Press the **[Sync]** button again to exit this function.
13. **FILL IN**  
Press the **[FILL-IN]** button to add an interlude to the Rhythm. The fill played is determined by accompaniment rhythm selected. After the fill, the selected accompaniment Rhythm will continue playing.
14. **INTRO/ENDING**  
Press the **[Intro/Ending]** button to start play the prelude, then turn to regular Rhythm to continue. During the play of the Rhythm, press the **[Intro/Ending]** button to start playing a code for ending.
15. **TEACHING**  
Press the **[Teaching]** button to enter the teaching function. Press the number keys **[1-9]** or **[+/-]** button to select the song to be learned. Teaching function aims at duration learning, and there is no requirement on pitch or creativeness. This mode allows for mistakes when playing the keys, but the keyboard still plays correct notes. Press the **[Teaching]** button again to exit this function.
16. **SINGLE CHORD**  
Press the **[Rythm]** button then press the **[Single chord]** button to start single finger accompaniment. Press any key of the left 19 keys to begin Rhythm. Press different key on left keyboard to select different chord. One key you press will always determine the root of the chord you played. Press the **[Start/Stop]** button to end this function.
17. **FINGER CHORD**  
Press the **[Rhythm]** button then press the **[Finger chord]** button to start fingered accompaniment. Press any key of the left 19 keys to begin Rhythm. Press a different key on left keyboard to select different chord. Press the **[Start/Stop]** button to end the effect.
18. **CHORD CLEAR**  
Press the **[Chord clear]** button to end the accompaniment under chord status, the Rhythm will being continued to play.
19. **TRANPOSE**  
Press the **[Transpose +]** or **[Transpose -]** button to increase or decrease the transpose value up and down +/- 6 levels and shift the pitch of entire keyboard up and down in semitone intervals. Press both simultaneously to reset to default value.
20. **VOLUME +/- (MP3)**  
Press to increase/decrease volume (MP3).
21. **NEXT (MP3)**  
Press for next track in MP3.

## 22. PREVIOUS (MP3)

Press for previous track in MP3.

## 23. PLAY/STOP (MP3)

Press to play or stop the MP3.

## 24. SOUND EFFECT (MP3)

Press this button to adjust the volume of the mp3 songs and tones.

## 25. DEMO

Press [DEMO], it will play songs in continuous playback mode and starts from song number "00" to "39" or pressing the button [+ ] or [- ] to choose the right numbers of the songs you need. If you want to stop, press the button [DEMO] again or just press the [Start/Stop] button.

## 26. RHYTHM

There're totally 300 Rhythms. Press the [Rhythm] button to start the Rhythm you need. Rhythm starts from "000" to "299". You can press the [0-9] number or [+ ] or [- ] buttons. If the input is out of this range, it will be ineffective.

## 27. TONE

There're totally 300 Tones. Press the [Tone] button to start the tone you need. Tones starts from "000" to "299". You can press the [0-9] number or [+ ] or [- ] buttons. If the input is out of this range, it will be ineffective.

## 28. SUSTAIN

Press the [Sustain] button to extend the sound of the key. Press the [Sustain] button again to exit this function.

## 29. VIBRATO

Press the [Vibrato] button and the vibrato effect will be activated. Press the [Vibrato] button again and the effect will be deactivated.

## 30. DOUBLE VOICE

Press the [Double Voice] button to start double voice function. The performed tone is the tone that composed of two kinds of tone. Now the displaying tone name is the latter tone. The previous tone is the tone before you press Double Voice. Press the [Double Voice] button again to exit this function.

## 31. KEYBOARD SPLIT

Press the [Keyboard Split] button to divide keyboard into left hand keyboard and right hand keyboard. The left 24 keys will be left-hand keyboard and the rest part of keys will be divided as right-hand keyboard. The voice on right-hand keyboard can be selected by pressing the number on numeric group buttons. The voice on left-hand keyboard is initially set by producer. Press the button once again to turn split effect off.

## 32. TOUCH

The keyboard has touch function automatically at the startup. You can play with the intensity of different keys will be issued the different volume. Press the [Touch] button to exit this function.

## 33. NUM PAD +/-

Press [+/-] or "000" to "299" in numeric group buttons to select accompaniment.

## 34. LCD DISPLAY

Displays current mode, notes to play, rhythm, tempo, etc.

## CONNECTIONS

### 35. USB slot

Socket for plugging in the supplied micro USB power cable.

#### MP3 Function:

The keyboard support USB play. You can use the USB jack to play MP3 songs. The buttons on the keyboard adjust the MP3 function.



### 36. MIDI OUT

Connect the keyboard to another MIDI compatible device. Transfer information with computer in both direction such as you can store the music that you played on his keyboard to the computer.

### 37. MICROPHONE INPUT

Connect a microphone to the MIC port to sing while playing the keyboard.

### 38. HEADPHONES/OUTPUT

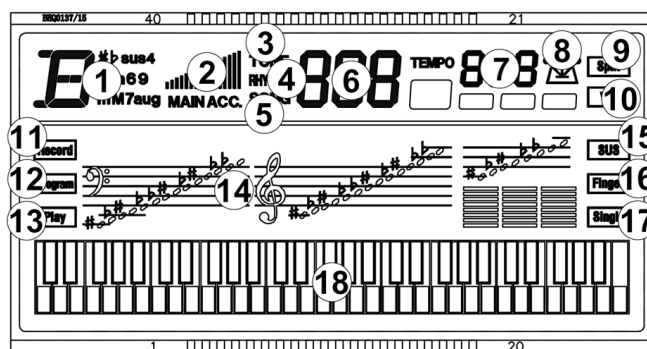
When connecting headphones to the PHONES/OUTPUT port, the loudspeaker will be disenabled automatically. You can perform without disturbing others and other disturbing you

### 39. DC 9V INPUT

Socket for plugging in the supplied 9V adapter.

## DISPLAY

1. Chord display Area
2. Volume
3. Tone
4. Rhythm
5. Demo
6. Number display
7. Tempo
8. Beat (metronome shows the current beat)
9. Split
10. Vibrato
11. Record
12. Program
13. Play



- 14. Staff notation
- 15. Sustain
- 16. Finger chord
- 17. Single chord
- 18. Black/white key display

## BEFORE YOU START

---

### POWERSUPPLY:

- **Using AC-DC adapter:**

Use the special power adapter that is equipped with this electronic keyboard or a power adaptor with DC 9V out voltage 500mA. Insert the DC plug or power adaptor into the DC 9V power jack in the rear panel of the electronic keyboard, insert the other end into Main socket, turn on power switch and start performance.

- **Using batteries: (not included):**

Open the battery compartment cover located on the bottom panel of the Electronic keyboard. Insert 6 pcs AA batteries, being carefully to follow the polarity marking on the cabinet. Replace the compartment cover, making sure that it locks firmly in place.

- Place the music stand in the keyboard slot.

- This keyboard will go in sleep mode when the keys are not pressed more than 5 minutes. Press any key to wake up the keyboard.

## RECORDING

---

Press the **[Rec]** button to enable the recording function, "rEC" will show on the display. In this mode all played notes will be recorded. The maximum record quantity is 210 notes. When storage is full, "Ful" will flash on the display and recording will stop automatically. Press the **[Play]** button to playback the recorded notes, "Ply" will show on the screen. On completion of playback, "rEC" will show on the display. You can record a new Rhythm, or you can press the **[Play]** button to playback the recorded Rhythm.

Press the **[Program]** button to enter into Rhythm programming mode. Press the keyboard to program a paragraph of Rhythm. The edited Rhythm can record 32 drum points at maximum. Press the **[Play]** button to play the edited drum sound in sequence, forming a kind of self-made Rhythms after programming was finished. The best Rhythm play effect can be get by adjusting **[Temp +/-]** buttons. Every time you press the **[Program]** button it will clear last memory and enter into programming mode again.

## TEACHING FUNCTION

---

### Teaching:

To choose the song you need to learn by the number buttons **[0-9]** or **[+/-]** buttons after the **[Teaching]** button was pressed down. The LCD display screen displays the present song number. One key teaching function is special for the learning of songs. It will remind the note that should be played at the present. It doesn't have requirement about the pitch and correctness of the notes.. One song was learned over, it will repeatedly learn present song or next song automatically. Press the **[Start/Stop]** button or press the **[Teaching]** button again to exit the teaching function.

**Note:** The correct played keynotes can be play, there is no response to the wrong played keys in the following teaching function mode. It will repeatedly learn present song or next song automatically.

# NEDERLANDS

**Hartelijk dank** voor de aanschaf van dit MAX Music product. Neemt u a.u.b. een paar momenten de tijd om deze handleiding zorgvuldig te lezen, aangezien wij graag willen dat u onze producten snel en volledig gebruikt.

Lees deze handleiding eerst door alvorens het product te gebruiken. Volg de instructies op anders zou de garantie wel eens kunnen vervallen. Neem ook altijd alle veiligheidsmaatregelen om brand en/of een elektrische schok te voorkomen. Tevens is het ook raadzaam om reparaties / modificaties e.d. over te laten aan gekwalificeerd personeel om een elektrische schok te voorkomen. Bewaar deze handleiding ook voor toekomstig gebruik.

- Bewaar de verpakking zodat u indien het apparaat defect is, dit in de originele verpakking kunt opsturen om beschadigingen te voorkomen.
- Voordat het apparaat in werking wordt gesteld, altijd eerst een deskundige raadplegen. Bij het voor de eerste keer inschakelen kan een bepaalde reuk optreden. Dit is normaal en verdwijnt na een poos.
- In het apparaat bevinden zich onder spanning staande onderdelen; open daarom **NOOIT** dit apparaat.
- Plaats geen metalen objecten en mors geen vloeistof in het effect. Dit kan leiden tot elektrische schokken of defecten.
- Toestel niet opstellen in de buurt van warmtebronnen zoals radiatoren etc. en niet op een vibrerende ondergrond plaatsen. Dek ventilatieopeningen nooit af.
- Het apparaat is niet geschikt voor continu gebruik.
- Wees voorzichtig met het netsnoer en beschadig deze niet. Als het snoer kapot of beschadigd is, kan dit leiden tot elektrische schokken of defecten.
- Als u de stekker uit het stopcontact neemt, trek dan niet aan het snoer, maar aan de stekker.
- Om brand of elektrische schok te voorkomen, dient u dit apparaat niet bloot te stellen aan regen of vocht.
- Verwijder of plaats een stekker nooit met natte handen resp. uit en in het stopcontact.
- Indien zowel de stekker en/of netsnoer als snoeringang in het apparaat beschadigd zijn dient dit door een vakman hersteld te worden.
- Indien het apparaat zo beschadigd is dat inwendige (onder)delen zichtbaar zijn mag de stekker **NOOIT** in het stopcontact worden geplaatst en het apparaat **NOOIT** worden ingeschakeld. Neem in dit geval contact op met de dealer.
- Reparatie aan het apparaat dient te geschieden door een vakman of een deskundige.
- Sluit het apparaat alleen aan op een 220-240VAC / 50Hz (geaard) stopcontact, verbonden met een 10-16A meterkastgroep.
- Bij onweer altijd de stekker uit het stopcontact halen, zo ook wanneer het apparaat voor een langere tijd niet gebruikt wordt. Stelregel: Bij geen gebruik stekker verwijderen.
- Als u het apparaat lang niet gebruikt heeft en het weer wil gebruiken kan er condens ontstaan; laat het apparaat eerst op kamertemperatuur komen alvorens het weer in werking te stellen.
- Apparaat nooit in vochtige ruimten en buiten gebruiken.
- Om ongevallen in bedrijven te voorkomen moet rekening worden gehouden met de daarvoor geldende richtlijnen en moeten de aanwijzingen/waarschuwingen worden gevolgd.
- Het apparaat buiten bereik van kinderen houden. Bovendien mag het apparaat nooit onbeheerd gelaten worden.
- Gebruik geen schoonmaakspray om de schakelaars te reinigen. Restanten van deze spray zorgen ervoor dat smeer en stof ophopen. Raadpleeg bij storing te allen tijde een deskundige.
- Gebruik geen overmatige kracht bij het bedienen van het apparaat.
- Dit apparaat kan magnetisch veld veroorzaken. Houd dit apparaat ten minste 60 cm afstand van de computer of tv.
- Bij een ongeval met dit product altijd eerst een deskundige raadplegen alvorens opnieuw te gebruiken.
- Tracht het apparaat niet schoon te maken met chemische oplossingen. Dit kan de lak beschadigen. Gebruik een droge doek om schoon te maken.
- Blijf uit de buurt van elektronische apparatuur die bromstoringen zouden kunnen veroorzaken.
- Bij reparatie dienen altijd originele onderdelen te worden gebruikt om onherstelbare beschadigingen en/of ontoelaatbare straling te voorkomen.
- Schakel eerst het toestel uit voordat u het netsnoer verwijderd. Verwijder netsnoer en aansluitsnoeren voordat u dit product gaat verplaatsen.
- Zorg ervoor dat het netsnoer niet beschadigd/defect kan raken wanneer mensen erover heen lopen. Het netsnoer vóór ieder gebruik controleren op breuken/defecten!
- In Nederland/België is de netspanning 220-240Vac/50Hz. Indien u reist (en u neemt het apparaat mee) informeer dan naar de netspanning in het land waar u verblijft.



Deze markering wordt weergegeven om u erop attent te maken dat een levensgevaarlijke spanning in het product aanwezig is en dat bij aanraking van deze delen een elektrische schok wordt verkregen.



Deze markering wordt weergegeven om u erop te wijzen dat de instructie zeer belangrijk is om te lezen en/of op te volgen.

**OPMERKING:** Om zeker te zijn van een correcte werking, dient u dit apparaat in een ruimte te gebruiken waar de temperatuur tussen de 5°C/41°F en 35°C/95°F ligt.



Raadpleeg eventueel [www.wecycle.nl](http://www.wecycle.nl) en/of [www.vrom.nl](http://www.vrom.nl) v.w.b. het afdanken van elektronische apparaten in het kader van de WEEE-regeling. Vele artikelen kunnen worden gerecycled, gooi ze daarom niet bij het huisvuil maar lever ze in bij een gemeentelijk depot of uw dealer. Lever ook afgedankte batterijen in bij uw gemeentelijk depot of bij de dealer, zie [www.stibat.nl](http://www.stibat.nl)

*Do not attempt to make any repairs yourself. This would invalid your warranty. Do not make any changes to the product. This would also invalid your warranty. The warranty is not applicable in case of accidents or damages caused by inappropriate use or disrespect of the warnings contained in this manual. Max cannot be held responsible for personal injuries caused by a disrespect of the safety recommendations and warnings. This is also applicable to all damages in whatever form.*

## UITPAKKEN

**LET OP!** Pak de doos zorgvuldig uit. Controleer de inhoud om ervoor te zorgen dat alle onderdelen aanwezig zijn en in goede staat zijn ontvangen. Bij transportschade of ontbreken van onderdelen onmiddellijk de verkopende partij inlichten. Bewaar de verpakking en het verpakkingsmateriaal. Indien het product moet worden teruggestuurd, is het belangrijk dat het product in originele verpakking wordt geretourneerd. Schakel het apparaat niet onmiddellijk in als het is blootgesteld aan drastische temperatuurverschillen (bv. na het transport). De ontstane condensatie kan het apparaat beschadigen. Zorg ervoor dat het apparaat op kamertemperatuur komt en steek vervolgens de stekker in het stopcontact.

## AANSLUITSPANNING

Op het label aan de onderzijde van het product staat aangegeven op welke netspanning deze moet worden aangesloten. Controleer of de netspanning hiermee overeenkomt, bij alle andere netspanningen dan aangegeven kan het apparaat onherstelbaar worden beschadigd. Tevens moet het apparaat direct op de netspanning worden aangesloten en mag géén dimmer of regelbare voeding worden gebruikt.

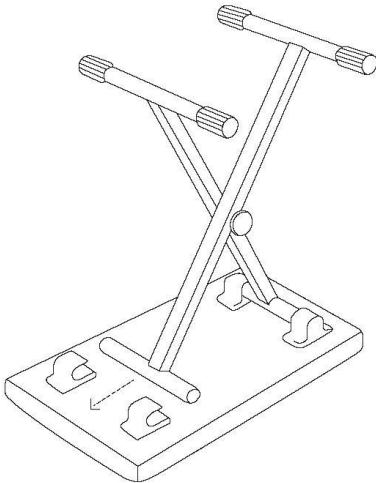


Sluit het apparaat altijd aan op een beschermd circuit (aardlekschakelaar of zekering). Zorg ervoor dat het apparaat voldoende elektrisch is geaard om het risico op elektrocutie of brand te vermijden.

## MONTAGEHANDLEIDING BANK

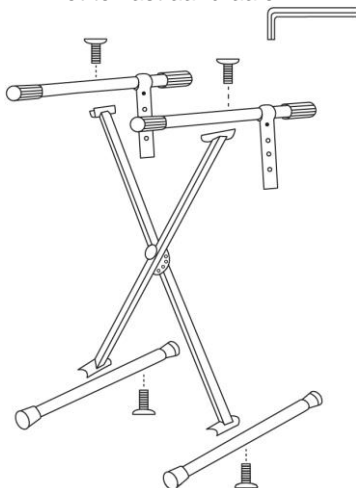
1. Plaats de zitting ondersteboven.
2. Til zowel de linker- als de rechterpoot omhoog.
3. Schuif de pootsteunen in de beugels om de poten te vergrendelen.
4. Draai de doppen om de bank te stabiliseren.

**OPMERKING:** zorg ervoor dat de beensteunen helemaal in de beugel zitten.  
Ga zitten en speel muziek zoals nooit tevoren.



## MONTAGE-INSTRUCTIES STANDAARD

1. Plaats de poten op de vloer in de positie zoals aangegeven in de illustratie.
2. Zet de X-steun met de schroeven vast op de voeten met behulp van de inbussleutel.
3. Plaats de bovenste steunbalken op het bovenste deel van de beugel en zet ze vast met de schroeven met de inbussleutel.  
Niet te vast aandraaien.





# BEDIENING



## 1. LUIDSPREKERS

Luidsprekers om het geluid van de afgespeelde muziek weer te geven. Het geluidsniveau wordt bepaald aan de hand van de volume-instelling.

## 2. POWER

Indrukken om aan/uit te zetten.

## 3. HOOFD VOLUME

Druk op de **[Master Vol +/-]** toets om het hoofdvolume hoger of lager te zetten. Het toetsenbord heeft 9 volumeniveaus van 00-08. Druk tegelijkertijd op beide toetsen om de standaardwaarde te herstellen.

## 4. RYTHME VOLUME

Druk op de **[Rythme Vol +/-]** toets om om het ritmevolume hoger of lager te zetten. Het standaardvolume is 06. Druk tegelijkertijd op beide toetsen **[Rhythm vol +/-]** om het standaardvolume van het ritme automatisch te herstellen.

## 5. CHORD VOLUME

Druk op de **[Chord Vol +/-]** toets om het begeleidingsvolume hoger of lager te zetten. Er zijn 9 volumeniveaus. Het standaardvolume is 07. Druk tegelijkertijd op beide toetsen om de standaardwaarde terug te zetten.

## 6. TEMPO

Druk op de **[Tempo +/-]** toets om het tempo van Rhythm, Beat of Demo te verhogen of verlagen. De standaardwaarde van het tempo is 120. Het aanpassingsgebied is 30-240. Druk tegelijkertijd op beide knoppen om terug te gaan naar de standaardwaarde.

## 7. PLAY

Druk op de **[Play]** toets om opgenomen noten of ritmes af te spelen.

## 8. RECORD

Druk op de **[Record]** toets om de opnamefunctie in te schakelen, "rEC" verschijnt op het display.

## 9. PROGRAM

Druk op **[Program]** om de ritme programmeerfunctie in te schakelen.

## 10. BEAT

Er zijn 4 soorten beatstemmen opgeslagen op het keyboard: 1/4 beat, 2/4 beat, 3/4 beat en 4/4 beat. Druk op de **[Beat]** toetsen voor de verschillende beats.

## 11. START/STOP

Druk op deze toets om de geselecteerde programma's te starten of te stoppen.

## 12. SYNC

Druk op de **[SYNC]** toets in de ritme modus. Speel een willekeurige toets in de akkoord toets zone af (de 1ste-19de toets, van links) om het begeleidingsritme te activeren.

## 13. Fill IN

Druk op de **[FILL-IN]** toets om een variatie toe te voegen aan het ritme. De gespeelde opvulling wordt bepaald door het gekozen begeleidingsritme. Na de opvulling wordt het gekozen begeleidingsritme verder gespeeld.

## 14. INTRO/ENDING

Druk op de **[Intro/Ending]** toets voordat het ritme is gestart, het keyboard zal een intro van een bepaalde lengte uitvoeren, waarna deze terugkeert naar het relatieve normale ritme. Druk op de **[Intro/Ending]** toets nadat het ritme is gestart, het keyboard voert een relatief eind uit om te stoppen.

## 15. TEACHING

Druk op de **[Teaching]** toets om de trainingsfunctie te activeren. Druk op de cijfertoetsen **[1-9]** of **[+/-]** toets om het te leren nummer te selecteren. De trainingsfunctie is gericht op het leren en er worden geen eisen gesteld aan toonhoogte of creativiteit. In deze modus zijn fouten bij het spelen van de toetsen toegestaan. Het keyboard speelt nog steeds de juiste noten. Druk nogmaals op de **[Teaching]** toets om deze functie te verlaten.

## 16. SINGLE CHORD

Druk op de **[Rhythm]** toets en vervolgens op de **[Single chord]** toets om de begeleiding met één vinger te starten. Druk op een willekeurige toets van de linker 19 toetsen om het ritme te starten. Druk op een andere toets van het linker toetsenbord om een ander akkoord te selecteren. Een toets die je indrukt zal altijd de grondtoon van het akkoord wat je speelt. Druk op de **[Start/Stop]** toets om deze functie te beëindigen.

## 17. FINGER CHORD

Druk op de **[Rhythm]** toets en vervolgens op de **[Finger chord]** toets om de vingerbegeleiding te starten. Druk op een willekeurige toets van de linker 19 toetsen om het ritme te starten. Druk op een andere toets van het linker toetsenbord om een ander akkoord te selecteren. Zodra je een willekeurig akkoord in het begeleidingsgedeelte van het keyboard speelt, zal het akkoord samen met het ritme automatisch beginnen te spelen. De toets die je indrukt zal altijd de begintoon van het gespeelde akkoord bepalen. Druk op de **[Start/Stop]** toets om het effect te beëindigen.

## 18. CHORD CLEAR

Druk op de **[Chord clear]** toets om de begeleiding te beëindigen, het ritme zal verder gespeeld worden.

## 19. TRANSPOSE

Druk op de **[Transpose + of -]** toets om de transposeerwaarde +/- 6 niveaus te verhogen of te verlagen en de toonhoogte van het hele keyboard in halve toonafstanden te verschuiven. Druk tegelijkertijd op beide toetsen om weer terug te keren naar de standaardstatus van de keyboardtoon.

## 20. VOLUME +/- (MP3)

Druk hierop om het volume te verhogen/verlagen (MP3).

## 21. VOLGENDE (MP3)

Druk hierop voor het volgende nummer in MP3.

## 22. VORIGE (MP3)

Druk hierop voor het vorige nummer in MP3.

## 23. PLAY/STOP (MP3)

Druk hierop om de MP3 af te spelen of te stoppen.

## 24. SOUND EFFECT (MP3)

Druk op deze knop om het volume van de MP3-nummers en -tonen aan te passen.

## 25. DEMO

Druk op de **[DEMO]** toets om de songs in de continue afspeelmodus af te spelen en te beginnen vanaf het nummer "00" tot "39" of druk op de **[+]** of **[-]** toets om de juiste nummers te kiezen van de songs die u nodig hebt. Als u wilt stoppen, drukt u opnieuw op de **[DEMO]** toets of u drukt op de **[Start/Stop]** toets.

## 26. RHYTHM

Er zijn in totaal 300 ritmes. Druk op de **[Rhythm]** toets om het gewenste ritme te starten. Ritmes beginnen van "000" tot "299". U kunt de **[0-9]** nummertoeetsen of de **[+of -]** toetsen indrukken.

## 27. TONE

Er zijn in totaal 300 toonsoorten. Druk op de **[Tone]** toets om de gewenste toon te starten. De toonsoorten beginnen van "000" tot "299". U kunt de **[0-9]** nummertoeetsen of de **[+of -]** toetsen indrukken.

## 28. SUSTAIN

Druk op de **[Sustain]** toets om het sustain effect te activeren. Druk nogmaals op de **[Sustain]** toets om het effect uit te schakelen.

## 29. VIBRATO

Druk op de **[Vibrato]** toets om het vibrato-effect te activeren. Druk nogmaals op de **[Vibrato]** toets om het effect uit te schakelen.

## 30. DOUBLE VOICE

Druk op de **[Double Voice]** toets om de dubbelstemmige functie te starten. De uitgevoerde toon is de toon, die is samengesteld uit twee soorten tonen. De toon die nu wordt weergegeven is de laatste toon. De vorige toon is de toon voordat u op Double Voice drukte. Druk nogmaals op de **[Double Voice]** toets om deze functie uit te schakelen.

## 31. KEYBOARD SPLIT

Druk op de **[Keyboard Split]** toets om het toetsenbord te verdelen in een linker keyboard en een rechter keyboard. De linker 24 toetsen vormen het linker keyboard en de rest van de toetsen wordt verdeeld als rechterkeyboard. De toon op het rechter keyboard kan worden geselecteerd door op de numerieke groepsknoppen te drukken. De toon op het linker keyboard wordt in eerste instantie ingesteld door de producent. Druk nogmaals op de toets **[Keyboard Split]** om het effect uit te schakelen.

## 32. TOUCH

Het toetsenbord heeft bij het opstarten automatisch een aanraakfunctie. U kunt spelen met de intensiteit van de verschillende toetsen en het verschillende volume. Druk op de **[Touch]** toets om deze functie uit te schakelen.

## 33. NUM PAD en +/-

Druk op **[+/-]** toetsen of op "000" tot "299" in de numerieke groepen om de begeleiding te selecteren.

## 34. LCD DISPLAY

Weergave van de huidige modus, de te spelen noten, het ritme, het tempo, enz.

# AANSLUITINGEN

## 35. USB-aansluiting

Aansluiting voor de meegeleverde micro USB-stroomkabel.

### MP3-functie:

Het toetsenbord ondersteunt het afspelen via USB. Je kunt de USB-aansluiting gebruiken om MP3-nummers af te spelen.



## 36. MIDI UIT

Sluit het toetsenbord aan op een ander MIDI-compatibel apparaat. U kunt informatie in beide richtingen met de computer overbrengen, zoals de muziek die u op het toetsenbord afspeelt opslaan op de computer.

## 37. MICROFOONINGANG

Sluit een microfoon aan op de MIC-poort om te zingen terwijl je op het keyboard speelt.

## 38. HOOFDTELEFOON/UITGANG

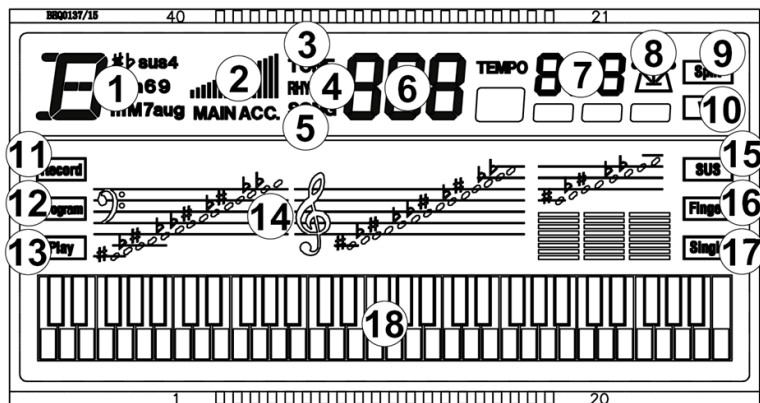
Als u een hoofdtelefoon aansluit op de PHONES/OUTPUT-poort, wordt de luidspreker automatisch uitgeschakeld. U kunt optreden zonder anderen en anderen te storen

## 39. DC 9V INPUT

Aansluiting voor de meegeleverde 9V adapter.

## DISPLAY

1. Chord display Area
2. Volume
3. Tone
4. Rhythm
5. Demo
6. Number display
7. Tempo
8. Beat (metronome shows the current beat)
9. Split
10. Vibrato
11. Record
12. Program
13. Play
14. Staff notation
15. Sustain
16. Finger chord
17. Single chord
18. Black/white key display



## VOORDAT U BEGINT

### VOEDING AANSLUITEN:

- **AC-DC adapter gebruiken:**  
Gebruik de speciale voedingsadapter die met dit elektronische toetsenbord is meegeleverd of een voedingsadapter met DC 9V uitgangsspanning 500m A. Steek de DC-stekker of de voedingsadapter in de DC 9V voedingsaansluiting op het achter paneel van het elektronische toetsenbord, steek het andere uiteinde in het stopcontact, zet de voedingsschakelaar aan en start de prestaties.
- **Batterijen gebruiken: (niet meegeleverd):**  
Open het klepje van het batterij vak aan de onderkant van het elektronische toetsenbord. Plaats 6 AA-batterijen en let daarbij goed op de polariteitsmarkering op de behuizing. Plaats het klepje terug en zorg ervoor dat het stevig vastklikt.
- Plaats de muziekstandaard in de sleuf van het keyboard.
- Deze keyboard gaat in de slaapstand wanneer de toetsen meer dan 5 minuten niet worden aangeraakt. Druk op een willekeurige toets om het keyboard weer op te starten.

## OPNAME FUNCTIE

Druk op de **[Rec]** toets om de opnamefunctie in te schakelen, "rEC" verschijnt op het display. In deze modus worden alle gespeelde noten opgenomen. De maximale opnamehoeveelheid is 210 noten. Als het geheugen vol is, knippert "Fu!" op het display en wordt de opname automatisch gestopt. Druk op de **[Play]** toets om de opgenomen noten af te spelen, "Ply" verschijnt op het scherm. Na het afspelen verschijnt "rEC" op het scherm. U kunt een nieuw ritme opnemen of op de **[Play]** toets drukken om het opgenomen ritme af te spelen.

Druk op de **[Program]** toets om naar de ritme programmeermodus te gaan. Druk op het keyboard om een paragraaf van het ritme te programmeren. Het bewerkte ritme kan maximaal 32 drum punten opnemen. Druk op de **[Play]** toets om het bewerkte drumgeluid achter elkaar af te spelen en zo zelfgemaakte ritmes te vormen nadat het programmeren klaar is. Het beste ritme-afspeleffect kan worden verkregen door de **[Temp +/-]** toetsen aan te passen. Elke keer dat je op de **[Program]** toets drukt, wordt het laatste geheugen gewist en kom je weer in de programmeermodus.

## TRAININGSFUNCTIE

### Training:

Kies de song die u wilt leren met de cijfertoetsen **[0-9]** of de **[+/-]** toets nadat u de **[Teaching]** toets hebt ingedrukt. Het LCD-display geeft het huidige songnummer weer. De trainingsfunctie met één toets is speciaal voor het leren van songs. Deze herinnert aan de noot die op dat moment gespeeld moet worden. De toonhoogte en correctheid van de noten zijn niet vereist. Druk op de **[Start/Stop]** toets of druk nogmaals op de **[Teaching]** toets om de trainingsfunctie uit te schakelen.

# DEUTSCH

Vielen Dank für den Kauf dieses MAX Music gerat. Nehmen Sie sich einen Augenblick Zeit, um diese Anleitung sorgfältig durchzulesen, damit sie die Möglichkeiten, die unser Produkt bietet, sofort voll ausnutzen können.

Lesen Sie erst die Anleitung vollständig vor der ersten Inbetriebnahme durch. Befolgen Sie die Anweisung, da sonst jeglicher Garantieanspruch verfällt. Treffen Sie stets alle Sicherheits-vorkehrungen um Feuer und/oder Stromschlag zu vermeiden. Reparaturen dürfen nur von qualifiziertem Fachpersonal ausgeführt werden, um Stromschlag zu vermeiden. Bewahren Sie diese Anleitung für spätere Bezugnahme auf.

- Bewahren Sie die Verpackung auf, um das Gerät im Bedarfsfall sicher transportieren zu können.
- Bevor das Gerät in Betrieb genommen wird, muss es erst von einem Fachmann überprüft werden. Bei der ersten Benutzung kann etwas Geruch auftreten. Das ist normal und verschwindet nach einer Weile
- Das Gerät enthält unter Spannung stehende Teile. Daher NIEMALS das Gehäuse öffnen.
- Keine Metallgegenstände oder Flüssigkeiten ins Gerät dringen lassen. Sie können zu Stromschlag und Defekten führen.
- Gerät nicht in der Nähe von Wärmequellen wie Heizkörpern aufstellen. Nicht auf eine vibrierende Oberfläche stellen. Niemals die Belüftungsschlitze abdecken.
- Das Gerät ist nicht für Dauerbetrieb geeignet.
- Gehen Sie vorsichtig mit dem Netzkabel um und beschädigen Sie es nicht. Eine beschädigte Netzschnur kann zu Stromschlag und Defekten führen.
- Wenn Sie das Gerät vom Netz trennen, immer am Stecker ziehen, niemals an der Schnur.
- Um Feuer und Stromschlag zu vermeiden, das Gerät vor Regen und Feuchtigkeit schützen.
- Den Stecker nie mit nassen Händen in eine Netzsteckdose stecken oder abziehen.
- Wenn sowohl der Stecker und/oder die Netzschnur bzw. der Kabeleintritt ins Gerät beschädigt sind, müssen sie von einem Fachmann repariert werden.
- Wenn das Gerät so beschädigt ist, dass Innenteile sichtbar sind, darf der Stecker NICHT in eine Steckdose gesteckt werden und das Gerät darf NICHT eingeschaltet werden. Wenden Sie sich in dem Fall an Ihren Fachhändler. Das Gerät darf nicht an einen Dimmer angeschlossen werden.
- Reparaturen dürfen nur von einem Fachmann oder Sachverständigen ausgeführt werden.
- Das Gerät nur an eine geerdete 10-16A Netzsteckdose mit 220-240V AC/50Hz Spannung anschließen.
- Bei Gewitter oder längerem Nichtgebrauch den Netzstecker abziehen. Die Regel gilt: Bei Nichtgebrauch Netzstecker abziehen.
- Wenn das Gerät längere Zeit nicht benutzt wurde, kann sich Kondenswasser gebildet haben. Lassen Sie das Gerät erst auf Zimmertemperatur kommen, bevor Sie es einschalten.
- Das Gerät nicht in feuchten Räumen oder im Freien benutzen.
- Um Unfällen in der Öffentlichkeit vorzubeugen, müssen die geltenden Richtlinien beachtet und die Anweisungen/Warnungen befolgt werden.
- Niemals das Gerät kurz hintereinander ein- und ausschalten. Dadurch verkürzt sich die Lebensdauer erheblich.
- Das Gerät außerhalb der Reichweite von Kindern halten. Das Gerät niemals unbeaufsichtigt lassen.
- Die Regler nicht mit Reinigungssprays reinigen. Diese hinterlassen Rückstände, die zu Staub- und Fettsammlungen führen. Bei Störungen immer einen Fachmann um Rat fragen.
- Das Gerät nur mit sauberen Händen bedienen.
- Das Gerät nicht mit Gewalt bedienen.
- Dieses Gerät kann dazu führen Magnetfeld. Halten Sie das Gerät mindestens 60 cm vom Computer oder Fernseher.
- Wenn dieses Gerät eine Blei-Säure-Batterie hat, soll dies jede 3 Monate zumindest wieder aufgeladen werden, wenn es nicht für eine längere Zeit nicht benutzt wird, sonst ist es möglich, dass die Batterie dauerhaft beschädigt.
- Fachmann um Rat fragen, bevor Sie es wieder einschalten.
- Keine chemischen Reinigungsmittel benutzen, die den Lack beschädigen. Das Gerät nur mit einem trockenen Tuch abwischen.
- Nicht in der Nähe von elektronischen Geräten benutzen, die Brummstörungen verursachen können.
- Bei Reparaturen nur die Original-Ersatzteile verwenden, um starke Schäden und/oder gefährliche Strahlungen zu vermeiden.
- Bevor Sie das Netz- und/oder Anschlusskabel abziehen, erst das Gerät ausschalten. Netz- und Anschlusskabel abziehen, bevor Sie das Gerät umstellen.
- Sorgen Sie dafür, dass das Netzkabel nicht beschädigt werden kann, wenn Menschen darüber laufen. Das Netzkabel vor jedem Einsatz auf Brüche/Schadstellen überprüfen.
- In Deutschland beträgt die Netzspannung 220-240V AC / 50Hz. Wenn Sie das Gerät auf Reisen mitnehmen, prüfen Sie, ob die örtliche Netzspannung den Anforderungen des Geräts entspricht.



Dieses Zeichen weist den Benutzer darauf hin, dass lebensgefährliche Spannungen im Gerät anliegen, die bei Berührung einen Stromschlag verursachen.



Dieses Zeichen lenkt die Aufmerksamkeit des Benutzers auf wichtige Hinweise in der Anleitung hin, die unbedingt eingehalten werden müssen.

**HINWEIS:** Um einen einwandfreien Betrieb zu gewährleisten, muss die Raumtemperatur zwischen 5° und 35°C liegen.



Tronios BV Registrierungsnummer : DE51181017 (ElektroG).

Dieses Produkt darf am Ende seiner Lebensdauer nicht über den normalen Haushaltsabfall entsorgt werden, sondern muss an einem Sammelpunkt für das Recycling abgegeben werden. Hiermit leisten Sie einen wichtigen Beitrag zum Schutze unserer Umwelt.

Tronios BV Registrierungsnummer : 21003000 (BatterieG).

Lithiumbatterien und Akkupacks sollten nur im entladenen Zustand in die Altbatteriesammelgefäße bei Handel und bei öffentlich-rechtlichen Entsorgungsträgern gegeben werden. Bei nicht vollständig entladenen Batterien Vorsorge gegen Kurzschluss treffen durch Isolieren der Pole mit Klebestreifen. Der Endnutzer ist zur Rückgabe von Altbatterien gesetzlich verpflichtet.

*Reparieren Sie das Gerät niemals selbst und nehmen Sie niemals eigenmächtig Veränderungen am Gerät vor. Sie verlieren dadurch den Garantieanspruch. Der Garantieanspruch verfällt ebenfalls bei Unfällen und Schäden in jeglicher Form, die durch unsachgemäßen Gebrauch und Nichtbeachtung der Warnungen und Sicherheitshinweise in dieser Anleitung entstanden sind. MAX Music ist in keinem Fall verantwortlich für persönliche Schäden in Folge von Nichtbeachtung der Sicherheitsvorschriften und Warnungen. Dies gilt auch für Folgeschäden jeglicher Form.*

## ANLEITUNG ZUM AUSPACKEN

---

**VORSICHT!** Packen Sie den Karton nach Erhalt vorsichtig aus. Überprüfen Sie den Inhalt, um sicherzustellen, dass alle Teile vorhanden sind und in gutem Zustand erhalten wurden. Benachrichtigen Sie sofort den Spediteur und bewahren Sie das Verpackungsmaterial auf, wenn Teile durch den Transport beschädigt wurden oder das Paket selbst Anzeichen von unsachgemäßer Handhabung aufweist. Bewahren Sie die Verpackung und alle Verpackungsmaterialien auf. Wenn das Produkt zurückgeschickt werden muss, ist es wichtig, dass es im Originalkarton und in der Originalverpackung zurückgeschickt wird. Wenn das Gerät drastischen Temperaturschwankungen ausgesetzt war (z. B. nach dem Transport), schalten Sie es nicht sofort ein. Das entstehende Kondenswasser könnte Ihr Gerät beschädigen. Lassen Sie das Gerät ausgeschaltet, bis es Raumtemperatur erreicht hat.

## STROMVERSORGUNG

---

Das Etikett auf der Rückseite/Unterseite des Produkts gibt die Netzspannung an, an die es angeschlossen werden muss. Überprüfen Sie, ob die Netzspannung damit übereinstimmt. Eine andere als die angegebene Spannung kann zu irreparablen Schäden am Gerät führen. Das Gerät muss außerdem direkt an die Netzspannung angeschlossen werden, und es darf kein Dimmer oder eine regelbare Stromversorgung verwendet werden.



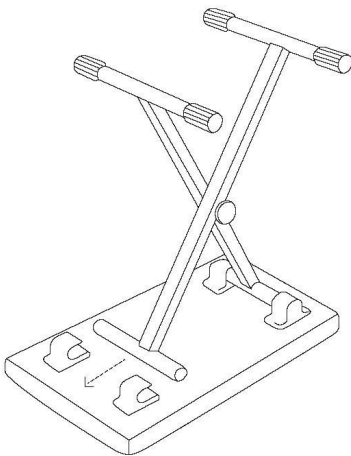
Schließen Sie das Gerät immer an einen geschützten Stromkreis an (Schutzschalter oder Sicherung). Vergewissern Sie sich, dass das Gerät über eine geeignete elektrische Erdung verfügt, um die Gefahr eines Stromschlags oder Brands zu vermeiden.

## MONTAGEANLEITUNG BANK

---

1. Stellen Sie den Sitz auf den Kopf.
2. Heben Sie sowohl das linke als auch das rechte Bein nach oben.
3. Schieben Sie die Beinstützen in die Halterungen, um die Beine in ihrer Position zu verriegeln.
4. Drehen Sie die Kappen, um die Bank zu stabilisieren.

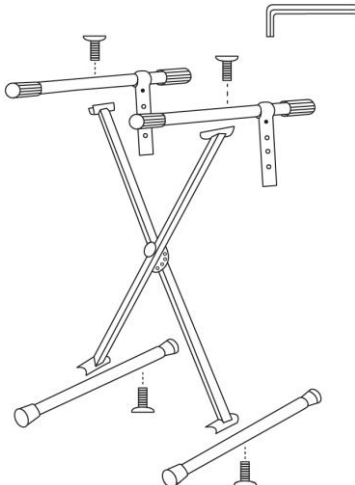
**HINWEIS:** Achten Sie darauf, dass die Beinstützen ganz in der Halterung sitzen. Setzen Sie sich hin und spielen Sie Musik wie nie zuvor.



## MONTAGEANLEITUNG STÄNDER

---

1. Stellen Sie die Füße in der in der Abbildung angegebenen Position auf den Boden.
2. Befestigen Sie die X-Halterung mit den Schrauben an den Füßen mit Hilfe des Inbusschlüssels.
3. Setzen Sie die oberen Stützstäbe auf den oberen Teil der Halterung und befestigen Sie sie mit den Schrauben und dem Inbusschlüssel. Nicht zu fest anziehen.



# BEDIENUNG



- 1. LAUTSPRECHER**  
Lautsprecher zur Wiedergabe der gespielten Musik. Die Lautstärke wird anhand der Lautstärkeeinstellung bestimmt.
- 2. POWER**  
Drücken Sie diese Taste, um das Gerät ein-/auszuschalten.
- 3. MASTER VOLUME**  
Drücken Sie die Taste **[Master Vol +/-]** um die Master-Lautstärke zu erhöhen oder zu verringern. Die Tastatur hat 9 Lautstärkestufen von 00-08. Drücken Sie beide Tasten gleichzeitig, um auf den Standardwert zurückzusetzen.
- 4. RYTHME-VOLUME**  
Drücken Sie die Taste **[Rythme Vol +/-]** um die Akkordlautstärke zu erhöhen oder zu verringern. Es gibt 9 Stufen der Lautstärke. Die Standardlautstärke ist 06. Drücken Sie beide Tasten gleichzeitig, um auf den Standardwert zurückzusetzen.
- 5. CHORD VOLUME**  
Drücken Sie die Taste **[Chord Vol +/-]** oder, um die Akkordlautstärke zu erhöhen oder zu verringern. Es gibt 9 Stufen der Lautstärke. Die Standardlautstärke ist 07. Drücken Sie beide Tasten gleichzeitig, um auf den Standardwert zurückzusetzen.
- 6. TEMPO**  
Drücken Sie die Taste **[Tempo +/-]**, um das Tempo von Rhythmus, Beat oder Demo zu erhöhen oder zu verringern. Der Standardwert des Tempos ist 120. Der Einstellbereich ist 30-240. Drücken Sie beide Tasten gleichzeitig, um auf den Standardwert zurückzusetzen.
- 7. PLAY**  
Drücken Sie die **[Play]** Taste, um aufgenommene Noten oder Rhythmen wiederzugeben.
- 8. AUFNAHME**  
Drücken Sie die Taste **[REC]**, um die Aufnahmefunktion zu aktivieren, „REC“ wird im Display angezeigt.
- 9. PROGRAM**  
Drücken Sie **[Program]**, um die Rhythmus-Programmierungsfunktion zu aktivieren.
- 10. BEAT**  
Es gibt 4 Arten von Beat-Voices, die auf der Tastatur gespeichert sind: 1/4 Beat, 2/4 Beat, 3/4 Beat und 4/4 Beat. Drücken Sie die **[Beat]** Taste für die verschiedenen Beats.
- 11. START/STOP**  
Drücken Sie die **[Start/Stop]** Taste, um den Rhythmus zu spielen, drücken Sie die **[Start/Stop]** Taste erneut, um diese Funktion zu verlassen.
- 12. SYNC**  
Drücken Sie die **[Sync]** Taste, um die Sync-Funktion aufzurufen, bevor der Rhythmus gespielt wurde. Drücken Sie eine beliebige Taste der 19 Tasten in der linken Hand, um die Rhythmuswiedergabe zu starten. Der Beat-Punkt leuchtet auf der LCD-Anzeige. Das Display zeigt den aktuellen Ton oder Rhythmus an. Wenn die Akkordfunktion gestartet wurde, drücken Sie die entsprechende Taste im 19-Tasten-Akkordbereich, der automatische Akkord wird gestartet. Drücken Sie die **[Sync]**-Taste erneut, um diese Funktion zu beenden.
- 13. FILL-IN**  
Drücken Sie die **[FILL-IN]** Taste, um dem Rhythmus ein Zwischenspiel hinzuzufügen. Das gespielte Fill wird durch den gewählten Begleitrhythmus bestimmt. Nach dem Fill wird der gewählte Begleitrhythmus weitergespielt.
- 14. INTRO/ENDING**  
Drücken Sie die Taste **[Intro/Ending]**, um die Wiedergabe des Vorspiels zu starten, und wechseln Sie dann zum regulären Rhythmus, um fortzufahren. Drücken Sie während der Wiedergabe des Rhythmus die **[Intro/Ending]** Taste, um einen Code für das Ende zu spielen.
- 15. TEACHING**  
Drücken Sie die **[Teaching]** Taste, um die Lernfunktion aufzurufen. Drücken Sie die Zifferntasten **[1-9]** oder die Taste **[+/-]**, um den zu lernenden Song auszuwählen. Die Lehrfunktion zielt auf das Erlernen der Dauer ab, und es gibt keine Anforderungen an die Tonhöhe oder die Kreativität. In diesem Modus sind Fehler beim Spielen der Tasten möglich, aber das Keyboard spielt trotzdem die richtigen Noten. Drücken Sie die **[Teaching]** Taste erneut, um diese Funktion zu beenden.
- 16. SINGLE CHORD**  
Drücken Sie die **[Rythm]** Taste und dann die **[Single chord]**-Taste, um die Einfinger-Begleitung zu starten. Drücken Sie eine beliebige Taste der linken 19 Tasten, um den Rhythmus zu starten. Drücken Sie eine andere Taste auf der linken Tastatur, um einen anderen Akkord auszuwählen. Eine Taste, die Sie drücken, bestimmt immer den Grundton des von Ihnen gespielten Akkords. Drücken Sie die **[Start/Stop]** Taste, um diese Funktion zu beenden.
- 17. FINGER-CHORD**  
Drücken Sie die Taste **[Rhythm]** und dann die Taste **[Finger chord]**, um die Fingerbegleitung zu starten. Drücken Sie eine beliebige Taste der linken 19 Tasten, um den Rhythmus zu starten. Drücken Sie eine andere Taste auf der linken Tastatur, um einen anderen Akkord auszuwählen. Drücken Sie die **[Start/Stop]** Taste, um den Effekt zu beenden.
- 18. CHORD CLEAR**  
Drücken Sie die **[Chord clear]** Taste, um die Begleitung im Akkordstatus zu beenden, der Rhythmus wird weitergespielt.

## 19. TRANSPOSE

Drücken Sie die Taste **[Transpose +/-]**, um den Transpositionswert um +/- 6 Stufen zu erhöhen oder zu verringern und die Tonhöhe der gesamten Tastatur in Halbtonschritten nach oben oder unten zu verschieben. Drücken Sie beide Tasten gleichzeitig, um auf den Standardwert zurückzusetzen.

## 20. VOLUME +/- (MP3)

Drücken Sie diese Taste, um die Lautstärke zu erhöhen/verringern (MP3).

## 21. NEXT (MP3)

Drücken Sie diese Taste, um zum nächsten Titel im MP3-Format zu gelangen.

## 22. PREVIOUS (MP3)

Drücken Sie diese Taste, um den vorherigen Titel im MP3-Format aufzurufen.

## 23. PLAY/STOP (MP3)

Drücken Sie diese Taste, um die MP3-Datei abzuspielen oder anzuhalten.

## 24. SOUND EFFEKT (MP3)

Drücken Sie diese Taste, um die Lautstärke der mp3-Lieder und -Töne einzustellen.

## 25. DEMO

Drücken Sie die Taste **[DEMO]**, um die Songs im kontinuierlichen Wiedergabemodus abzuspielen und mit den Songnummern "00" bis "39" zu beginnen, oder drücken Sie die Taste **[+]** oder **[-]**, um die gewünschte Songnummer auszuwählen. Wenn Sie die Wiedergabe stoppen wollen, drücken Sie die Taste **[DEMO]** erneut oder drücken Sie einfach die Taste **[Start/Stop]**.

## 26. RHYTHM

Es gibt insgesamt 300 Rhythmen. Drücken Sie die **[Rhythm]** Taste, um den gewünschten Rhythmus zu starten. Der Rhythmus beginnt mit "000" bis "299". Sie können die Zahlen **[0-9]** oder die Tasten **[+]** oder **[-]** drücken. Wenn die Eingabe außerhalb dieses Bereichs liegt, ist sie unwirksam.

## 27. TONE

Es gibt insgesamt 300 Töne. Drücken Sie die **[Tone]** Taste, um den gewünschten Ton zu starten. Die Töne beginnen mit "000" bis "299". Sie können die Zahlen **[0-9]** oder die Tasten **[+]** oder **[-]** drücken. Wenn die Eingabe außerhalb dieses Bereichs liegt, ist sie unwirksam.

## 28. SUSTAIN

Drücken Sie die **[Sustain]** Taste, um den Klang der Taste zu verlängern. Drücken Sie die **[Sustain]** Taste erneut, um diese Funktion zu beenden.

## 29. VIBRATO

Drücken Sie die **[Vibrato]** Taste und der Vibrato-Effekt wird aktiviert. Drücken Sie die [Vibrato]-Taste erneut, um den Effekt zu deaktivieren.

## 30. DOUBLE VOICE

Drücken Sie die **[Double Voice]** Taste, um die Double Voice-Funktion zu starten. Der gespielte Ton ist ein Ton, der aus zwei Arten von Tönen besteht. Der angezeigte Klangname ist der letztere Klang. Der vorherige Ton ist der Ton, bevor Sie Double Voice drücken. Drücken Sie die **[Double Voice]** Taste erneut, um diese Funktion zu beenden.

## 31. KEYBOARD SPLIT

Drücken Sie die **[Keyboard Split]** Taste, um die Tastatur in eine linke und eine rechte Tastatur zu unterteilen. Die linken 24 Tasten werden als linke Tastatur und der Rest der Tasten als rechte Tastatur aufgeteilt. Die Stimme auf der rechten Tastatur kann durch Drücken der Nummer auf den Zifferngruppentasten ausgewählt werden. Die Stimme auf der linken Tastatur wird zunächst vom Hersteller eingestellt. Drücken Sie die Taste noch einmal, um den Split-Effekt auszuschalten.

## 32. TOUCH

Die Tastatur verfügt beim Einschalten automatisch über eine Touch-Funktion. Sie können mit der Intensität der verschiedenen Tasten spielen, die unterschiedliche Lautstärke wird ausgegeben. Drücken Sie die **[Touch]** Taste, um diese Funktion zu beenden.

## 33. ZIFFERNBLOCK +/-

Drücken Sie **[+/-]** oder „000“ bis „299“ in den Zifferngruppen-Tasten, um die Begleitung auszuwählen.

## 34. LCD ANZEIGE

Zeigt den aktuellen Modus, die zu spielenden Noten, den Rhythmus, das Tempo, usw. an.

# VERBINDUNGEN

## 35. USB-BUCHSE

Buchse zum Einstecken des mitgelieferten Micro-USB-Stromkabels.

### MP3-Funktion:

Das Keyboard unterstützt die USB-Wiedergabe. Sie können die USB-Buchse verwenden, um MP3-Songs abzuspielen. Mit den Tasten auf der Tastatur können Sie die MP3-Funktion einstellen.



## 36. MIDI-AUSGANG

Schließen Sie das Keyboard an ein anderes MIDI-kompatibles Gerät an. Übertragen Sie Informationen mit dem Computer in beide Richtungen, z. B. können Sie die Musik, die Sie auf dem Keyboard gespielt haben, auf dem Computer speichern.

## 37. MIKROFONEINGANG

Schließen Sie ein Mikrofon an den MIC-Anschluss an, um beim Spielen auf dem Keyboard zu singen.

## 38. KOPFHÖRER/AUSGANG

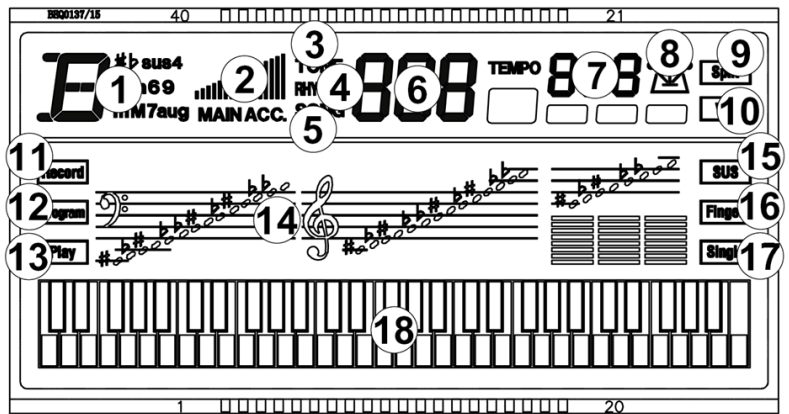
Wenn Sie einen Kopfhörer an den PHONES/OUTPUT-Anschluss anschließen, wird der Lautsprecher automatisch ausgeschaltet. Sie können auftreten, ohne andere zu stören und ohne von anderen gestört zu werden.

## 39. DC 9V INPUT

Buchse zum Einstecken des mitgelieferten 9V-Adapters.

## DISPLAY

1. Chord display Area
2. Volume
3. Tone
4. Rhythm
5. Demo
6. Number display
7. Tempo
8. Beat (metronome shows the current beat)
9. Split
10. Vibrato
11. Record
12. Program
13. Play
14. Staff notation
15. Sustain
16. Finger chord
17. Single chord
18. Black/white key display



## BEVOR SIE BEGINNEN

### STROMVERSORGUNG:

#### • Verwendung eines AC-DC-Adapters:

Verwenden Sie den speziellen Netzadapter, der mit diesem elektronischen Keyboard mitgeliefert wird, oder einen Netzadapter mit DC 9V-Ausgangsspannung 500mA. Stecken Sie den DC-Stecker oder den Netzadapter in die DC 9V-Strombuchse auf der Rückseite des elektronischen Keyboards, stecken Sie das andere Ende in die Hauptbuchse, schalten Sie den Netzschalter ein und starten Sie das Spiel.

#### • Verwendung von Batterien: (nicht im Lieferumfang enthalten):

Öffnen Sie die Abdeckung des Batteriefachs an der Unterseite des elektronischen Keyboards. Legen Sie 6 Stück AA-Batterien ein und achten Sie dabei auf die Polaritätsmarkierung auf dem Gehäuse. Schließen Sie den Deckel des Batteriefachs wieder und achten Sie darauf, dass er fest einrastet.

#### • Setzen Sie den Notenständer in den Tastaturschlitz.

#### • Das Keyboard geht in den Ruhezustand, wenn die Tasten länger als 5 Minuten nicht gedrückt werden. Drücken Sie eine beliebige Taste, um das Keyboard aufzuwecken.

## RECORDING

Drücken Sie die **[Rec]** Taste, um die Aufnahmefunktion zu aktivieren; „rEC“ erscheint auf dem Display. In diesem Modus werden alle gespielten Noten aufgezeichnet. Die maximale Aufnahmemenge beträgt 210 Noten. Wenn der Speicher voll ist, blinkt „Full“ auf dem Display und die Aufnahme wird automatisch beendet. Drücken Sie die **[Play]** Taste, um die aufgenommenen Noten abzuspielen, „Ply“ wird auf dem Display angezeigt. Nach Abschluss der Wiedergabe wird „rEC“ auf dem Display angezeigt. Sie können einen neuen Rhythmus aufnehmen oder den **[Play]** Taster drücken, um den aufgenommenen Rhythmus wiederzugeben.

Drücken Sie die **[Program]** Taste, um in den Rhythmus-Programmiermodus zu gelangen. Der bearbeitete Rhythmus kann maximal 32 Schlagzeugpunkte aufnehmen. Drücken Sie die **[Play]** Taste, um den bearbeiteten Drum-Sound nacheinander abzuspielen und so eine Art selbst erstellten Rhythmus zu bilden, nachdem die Programmierung abgeschlossen ist. Den besten Rhythmus-Wiedergabeeffekt erzielen Sie durch Einstellen der **[Temp +/-]** Tasten. Jedes Mal, wenn Sie den **[Program]** Taste drücken, wird der letzte Speicher gelöscht und der Programmiermodus erneut aufgerufen.

## TEACHING-FUNKTION

### Anlernen:

Wählen Sie den zu lernenden Song mit den Zifferntasten **[0-9]** oder **[+/-]**, nachdem Sie die **[Teaching]** Taste gedrückt haben. Auf dem LCD-Display wird die aktuelle Songnummer angezeigt. Eine Lernfunktion auf einer Taste ist speziell für das Lernen von Songs. Sie erinnert an die Note, die gerade gespielt werden soll. Sie stellt keine Anforderungen an die Tonhöhe und die Korrektheit der Noten. Wurde ein Lied bereits gelernt, wird das aktuelle Lied oder das nächste Lied automatisch wiederholt. Drücken Sie die **[Start/Stop]** Taste oder drücken Sie die **[Teaching]** Taste erneut, um die Lernfunktion zu beenden.

**Hinweis:** Die richtig gespielten Tasten können wiedergegeben werden, auf falsch gespielte Tasten wird im folgenden Lernfunktionsmodus nicht reagiert. Der aktuelle Song oder der nächste Song wird automatisch gelernt.



# ESPAÑOL

Felicitaciones a la compra de este producto MAX Music. Por favor lea atentamente este manual antes de usar el aparato para disfrutar al completo de sus prestaciones.

Seguir las instrucciones le permite no invalidar la garantía. Tome todas las precauciones para evitar que se produzca fuego o una descarga eléctrica. Las reparaciones solo deben llevarse a cabo por técnicos cualificados para evitar descargas eléctricas. Guarde el manual para futuras consultas.

sentirse cierto olor. Esto es normal y desaparece al poco tiempo.

- Este aparato contiene piezas que llevan voltaje. Por lo tanto NO abra la carcasa.
- No coloque objetos metálicos o vierta líquidos dentro del aparato. Podría producir descargas eléctricas y fallos en el funcionamiento.
- No coloque el aparato cerca de fuentes de calor tipo radiadores, etc. No coloque el aparato en superficies vibratorias. No tape los agujeros de ventilación.
- Este aparato no está preparado para un uso continuado.
- Tenga cuidado con el cable de alimentación y no lo dañe. Un daño o defecto en el cable de alimentación puede producir una descarga eléctrica o fallo en el funcionamiento.
- Cuando desconecte el aparato de la toma de corriente, siempre tire de la clavija, nunca del cable.
- No enchufe o desenchufe el aparato con las manos mojadas.
- Si la clavija y/o el cable de alimentación están dañados, necesitan reemplazarse por un técnico cualificado.
- Si el aparato está dañado de modo que puedan verse sus partes internas, NO conecte el aparato a la toma de corriente y NO lo encienda. Contacte con su distribuidor. NO conecte el aparato a un reostato o dimmer.
- Para evitar un fuego o peligro de descarga, no exponga el aparato a la lluvia y a la humedad.
- Todas las reparaciones deben llevarse a cabo exclusivamente por técnicos cualificados.
- Conecte el aparato a una toma de corriente con toma de tierra (220-240Vca/50Hz) protegida por un fusible de 10-16A.
- Durante una tormenta o si el aparato no va a usarse durante un periodo largo de tiempo, desconéctelo de la toma de corriente. La regla es: Desconéctelo si no lo va a usar.
- Si el aparato no se ha usado en mucho tiempo puede producirse condensación. Deje el aparato a temperatura ambiente antes de encenderlo. Nunca utilice el aparato en ambientes húmedos o en el exterior.
- Para prevenir accidentes en las empresas, debe seguir las directrices aplicables y seguir las instrucciones.
- No lo apague y encienda repetidamente. Esto acorta su tiempo de vida.
- Mantenga el aparato fuera del alcance de los niños. No deje el aparato sin vigilancia.
- No utilice sprays limpiadores para limpiar los interruptores. Los residuos de estos sprays producen depósitos de polvo y grasa. En caso de mal funcionamiento, siempre consulte a un profesional.
- No fuerce los controles.
- Si el aparato se ha caído, siempre haga que lo verifique un técnico cualificado antes de encenderlo otra vez.
- NO utilice productos químicos para limpiar el aparato. Dañan el barniz. Tan solo límpielo con un trapo seco.
- Manténgalo lejos de equipos electrónicos ya que pueden producir interferencias.
- Si este producto incorpora una batería recargable con base ácida, por favor recargue batería cada 3 meses si no va a usar la unidad por un tiempo prolongado. En caso contrario la batería podría dañarse.
- Solo utilice recambios originales para las reparaciones, de otro modo pueden producirse daños serios y/o radiaciones peligrosas.
- Apague el aparato antes de desconectarlo de la toma de corriente y/o de otros equipos. Desconecte todos los cables y conexiones antes de mover el aparato.
- Asegúrese de que el cable de alimentación no puede dañarse cuando la gente lo pise. Compruebe el cable de alimentación antes de cada uso por si hay daños o defectos.
- El voltaje de funcionamiento es 220-240Vca/50Hz. Compruebe que la toma de corriente coincide. Si tiene que viajar, asegúrese de que el voltaje del país es el adecuado para este aparato.
- Guarde el embalaje original para poder transportar el aparato en condiciones seguras.



Esta señal advierte al usuario de la presencia de alto voltaje en el interior de la carcasa y que es de la suficiente magnitud como para producir una descarga eléctrica.



Esta señal advierte al usuario de que el manual contiene instrucciones importantes que han de leerse y seguirse al pie de la letra.

**NOTA:** Para asegurarse de que el aparato funcione correctamente, debe usarse en ambientes a una temperatura de entre 5°C/41°F y 35°C/95°F.



Los productos electrónicos no pueden tirarse a la basura normal. Por favor lleve este producto a un centro de reciclaje. Pregunte a la autoridad local en caso de duda. Las especificaciones son generales. Los valores actuales pueden variar de una unidad a otra. Las especificaciones pueden variar sin previo aviso.

*Nunca intente reparar usted mismo este equipo. Esta manipulación anulará la garantía. No realice cambios en la unidad. Esta manipulación anulará la garantía. Esta garantía no es aplicable en caso de accidente o daños ocasionados por uso indebido del aparato o mal uso del mismo. MAX Music no se hace responsable de daños personales causados por el no seguimiento de las normas e instrucciones de este manual. Esto es aplicable también a los daños de cualquier tipo.*

## INSTRUCCIONES DE DESEMBALAJE

---

**PRECAUCIÓN** Desembale con cuidado la caja al recibirla. Compruebe el contenido para asegurarse de que todas las piezas estén presentes y se han recibido en buenas condiciones. Notifique inmediatamente al transportista y conserve el material de embalaje si alguna pieza resulta dañada durante el transporte o si el propio paquete muestra signos de haber sido manipulado incorrectamente. Guarde el paquete y todos los materiales de embalaje. Si debe devolver el producto, es importante que lo haga en la caja y el embalaje originales de fábrica. Si el aparato ha estado expuesto a fluctuaciones drásticas de temperatura (por ejemplo, después del transporte), no lo encienda inmediatamente. El agua de condensación podría dañar el aparato. Deje el aparato apagado hasta que haya alcanzado la temperatura ambiente.

## FUENTE DE ALIMENTACIÓN

---

La etiqueta situada en la parte inferior del producto indica a qué tipo de fuente de alimentación debe conectarse el producto. Compruebe que la tensión de red corresponde a ésta, cualquier otra tensión puede causar daños irreparables. Además, el producto debe conectarse directamente a la red eléctrica, sin regulador ni fuente de alimentación regulable.



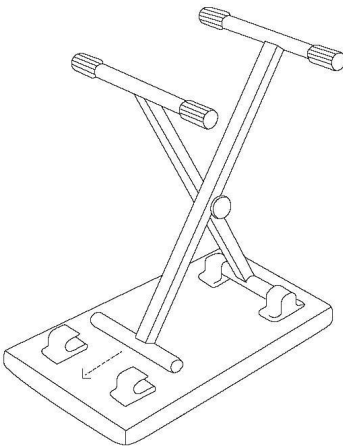
Conecte siempre el aparato a un circuito protegido (disyuntor o fusible). Asegúrese de que el aparato dispone de una toma de tierra eléctrica adecuada para evitar el riesgo de electrocución o incendio.

## INSTRUCCIONES DE MONTAJE BANCO

---

1. Coloque el asiento boca abajo.
2. Levante hacia arriba tanto la pata izquierda como la derecha.
3. Deslice los soportes de las patas en los soportes para bloquear las patas en su posición.
4. Gire las tapas para estabilizar el banco.

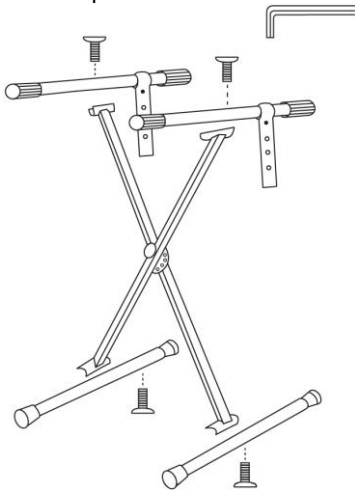
**NOTA:** asegúrese de que los soportes de las patas se asientan completamente dentro del soporte. Siéntese y toque música como nunca antes.



## INSTRUCCIONES DE MONTAJE SOPORTE

---

1. Coloque las patas en el suelo en la posición indicada en la ilustración.
2. Con los tornillos, fije el soporte X a los pies con la llave Allen
3. Coloque las barras de soporte superiores en la parte superior del soporte y fíjelas con los tornillos utilizando la llave Allen.  
No apriete demasiado



# CONTROLES



## 1. ALTAVOCES

Altavoces que reproducen el sonido de la música reproducida. El nivel de sonido se determina en función del ajuste del volumen.

## 2. POWER

Pulse para encender o apagar el aparato.

## 3. MASTER VOLUME

Pulse el botón **[Master Vol +/-]** para subir o bajar el volumen maestro. El teclado dispone de 9 niveles de volumen desde 00-08. Pulse ambos simultáneamente para restablecer el valor por defecto.

## 4. RHYTHM VOLUME

Pulse el botón **[Rythme Vol +/-]** para subir o bajar el volumen de acompañamiento. Hay 9 niveles de volumen. El volumen por defecto es 06. Pulse ambos simultáneamente para restablecer el valor por defecto.

## 5. CHORD VOLUME

Pulse el botón **[Chord Vol +/-]** para subir o bajar el volumen del acompañamiento. Hay 9 niveles de volumen. El volumen por defecto es 07. Pulse ambos simultáneamente para restablecer el valor predeterminado.

## 6. TEMPO

Pulse el botón **[Tempo +/-]** para subir o bajar el tempo del Ritmo, Beat o Demo. El valor por defecto del tempo es 120. El área de ajuste es de 30-240. Pulse ambos simultáneamente para restablecer el valor por defecto.

## 7. PLAY

Pulse el botón **[Play]** para reproducir notas o ritmos grabados.

## 8. RECORD

Pulse **[REC]** para activar la función de grabación, «rEC» aparecerá en la pantalla.

## 9. PROGRAM

Pulse **[Program]** para activar la función de programación del ritmo.

## 10. BEAT

Hay 4 tipos de voz de compás almacenados en el teclado: 1/4 beat, 2/4 beat, 3/4 beat y 4/4 beat. Pulse el botón **[Beat]** para los diferentes tiempos.

## 11. START/STOP

Pulse el botón **[Start/Stop]** para reproducir el Ritmo, pulse de nuevo el botón **[Start/Stop]** para salir de esta función.

## 12. SYNC

Pulse el botón **[Sync]** para entrar en la función Sync antes de tocar el Ritmo. Pulse cualquier tecla de las 19 teclas de la mano izquierda para iniciar la reproducción del Ritmo. El punto Beat se ilumina en la pantalla LCD. La pantalla muestra el tono o Ritmo actual. Si se ha iniciado la función de acordes, pulse la tecla correspondiente en el área de acordes de las 19 teclas, se inicia el acorde automático. Pulse de nuevo el botón **[Sync]** para salir de esta función.

## 13. FILL IN

Pulse el botón **[FILL-IN]** para añadir un interludio al ritmo. El relleno reproducido está determinado por el ritmo de acompañamiento seleccionado. Después del relleno, el Ritmo de acompañamiento seleccionado continuará reproduciéndose.

## 14. INTRO/ENDING

Pulse el botón **[Intro/Ending]** para iniciar la reproducción del preludio, luego gire al Ritmo regular para continuar. Durante la reproducción del Ritmo, pulse el botón **[Intro/Ending]** para iniciar la reproducción de un código para finalizar.

## 15. TEACHING

Pulse el botón **[Teaching]** para entrar en la función de enseñanza. Pulse las teclas numéricas **[1-9]** o el botón **[+/-]** para seleccionar la canción a aprender. La función de enseñanza tiene como objetivo el aprendizaje de la duración, y no hay ningún requisito sobre el tono o la creatividad. Este modo permite cometer errores al tocar las teclas, pero el teclado sigue reproduciendo las notas correctas. Pulse de nuevo el botón **[Teaching]** para salir de esta función.

## 16. SINGLE CHORD

Pulse el botón **[Rythm]** y, a continuación, el botón **[Single chord]** para iniciar el acompañamiento con un solo dedo. Pulse cualquier tecla de las 19 teclas izquierdas para iniciar el Ritmo. Pulse una tecla diferente del teclado izquierdo para seleccionar un acorde diferente. La tecla que pulse siempre determinará la raíz del acorde que haya tocado. Pulse el botón **[Start/Stop]** para finalizar esta función.

## 17. FINGER CHORD

Pulse el botón **[Rhythm]** y luego pulse el botón **[Finger chord]** para iniciar el acompañamiento de dedos. Pulse cualquier tecla de las 19 teclas izquierdas para iniciar el Ritmo. Pulse una tecla diferente del teclado izquierdo para seleccionar un acorde diferente. Pulse el botón **[Start/Stop]** para finalizar el efecto.

## 18. CHORD CLEAR

Pulse el botón **[Chord clear]** para finalizar el acompañamiento bajo estado de acorde, el Ritmo continuará reproduciéndose.

## 19. TRANSPOSE

Pulse el botón **[Transpose +/-]** para aumentar o disminuir el valor de transposición +/- 6 niveles y cambiar el tono de todo el teclado hacia arriba o hacia abajo en intervalos de semitonos. Pulse ambos simultáneamente para restablecer el valor predeterminado.

## 20. VOLUME +/- (MP3)

Pulse para subir/bajar el volumen (MP3).

## 21. PREVIOUS (MP3)

Pulse para la pista siguiente en MP3.

## 22. NEXT (MP3)

Pulse para ver la pista anterior en MP3.

## 23. PLAY/STOP (MP3)

Pulse para reproducir o detener el MP3.

## 24. SOUND EFFECT (MP3)

Pulse este botón para ajustar el volumen de las canciones y tonos del mp3.

## 25. DEMO

26. Pulse **[DEMO]**, reproducirá las canciones en modo de reproducción continua y comienza desde el número de canción "00" al "39" o pulsando el botón **[+]** o **[-]** para elegir los números correctos de las canciones que necesite. Si quieres parar, pulsa de nuevo el botón **[DEMO]** o simplemente pulsa el botón **[Start/Stop]**.

## 27. RHYTHM

Hay un total de 300 Ritmos. Pulsa el botón **[Rhythm]** para iniciar el Ritmo que necesites. El Ritmo comienza desde "000" hasta "299". Puedes pulsar el número **[0-9]** o los botones **[+]** o **[-]**.

## 28. TONE

Hay un total de 300 Tonos. Pulse el botón **[Tone]** para iniciar el tono que necesite. Los tonos comienzan desde "000" hasta "299". Puede pulsar el número **[0-9]** o los botones **[+]** o **[-]**.

## 29. SUSTAIN

Pulse el botón **[Sustain]** para prolongar el sonido de la tecla. Pulse de nuevo el botón **[Sustain]** para salir de esta función.

## 30. VIBRATO

Pulse el botón **[Vibrato]** para activar el efecto vibrato. Pulse de nuevo el botón **[Vibrato]** y el efecto se desactivará.

## 31. DOBLE VOICE

Pulse el botón **[Double Voice]** para iniciar la función de doble voz. El tono interpretado es el tono que se compone de dos tipos de tono. Ahora el nombre del tono que se muestra es el último tono. El tono anterior es el tono antes de pulsar Voz Doble. Pulse de nuevo el botón **[Double Voice]** para salir de esta función.

## 32. KEYBOARD SPLIT

Pulse el botón **[Keyboard Split]** para dividir el teclado en teclado para la mano izquierda y teclado para la mano derecha. Las 24 teclas de la izquierda serán el teclado de la mano izquierda y el resto de teclas se dividirán como teclado de la mano derecha. La voz del teclado derecho puede seleccionarse pulsando el número en los botones del grupo numérico. La voz del teclado izquierdo se establece inicialmente por el productor. Pulse el botón una vez más para desactivar el efecto de división.

## 33. TOUCH

El teclado tiene función táctil automáticamente en el arranque. Puede tocar con la intensidad de las diferentes teclas se emitirá el volumen diferente. Pulse el botón **[Touch]** para salir de esta función.

## 34. NUM PAD +/-

Pulse **[+/-]** o «000» a «299» en los botones del grupo numérico para seleccionar el acompañamiento.

## 35. PANTALLA LCD

Muestra el modo actual, las notas a tocar, el ritmo, el tempo, etc.

# CONEXIONES

## 36. Puerto USB

Toma para enchufar el cable de alimentación micro USB suministrado.

### Función MP3:

El teclado soporta la reproducción USB. Puede utilizar la toma USB para reproducir canciones MP3. Los botones del teclado ajustan la función MP3.



## 37. SALIDA MIDI

Conecte el teclado a otro dispositivo compatible con MIDI. Transfiere información con el ordenador en ambas direcciones, por ejemplo, puedes almacenar la música que tocaste en su teclado al ordenador.

## 38. ENTRADA DE MICRÓFONO

Conecte un micrófono al puerto MIC para cantar mientras toca el teclado.

## 39. AURICULARES/SALIDA

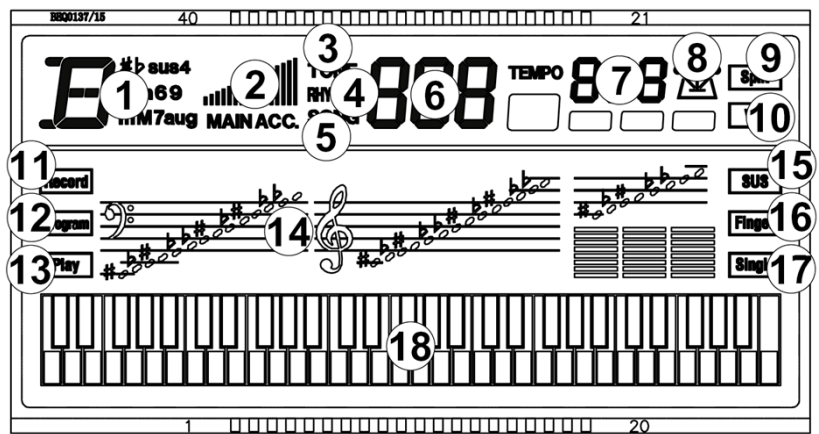
Cuando conecte auriculares al puerto PHONES/OUTPUT, el altavoz se desactivará automáticamente. Podrás actuar sin molestar a los demás y sin que otros te molesten a ti

## 40. ENTRADA CC 9V

Toma para enchufar el adaptador de 9 V suministrado.

## PANTALLA

1. Área de visualización de acordes
2. Volumen
3. Tono
4. Ritmo
5. Demo
6. Visualización de números
7. Tempo
8. Beat (metrónomo muestra el beat actual)
9. Split
10. Vibrato
11. Grabar
12. Programa
13. Reproducir
14. Notación del pentagrama
15. Sostener
16. Acorde de dedos
17. Acorde simple
18. Pantalla en blanco/negro



## ANTES DE EMPEZAR

### ALIMENTACIÓN ELÉCTRICA

#### • Utilizando el adaptador AC-DC:

Utilice el adaptador de corriente especial que viene equipado con este teclado electrónico o un adaptador de corriente con voltaje de salida DC 9V 500m A. Inserte el enchufe DC o el adaptador de corriente en la toma de corriente DC 9V en el panel trasero del teclado electrónico, inserte el otro extremo en la toma Main, encienda el interruptor de encendido y comience a tocar.

#### • Uso de pilas: (no incluidas):

Abra la tapa del compartimento de las pilas situado en el panel inferior del teclado electrónico. Inserte 6 pilas AA, teniendo cuidado de seguir las marcas de polaridad de la carcasa. Vuelva a colocar la tapa del compartimento, asegurándose de que encaje firmemente en su lugar.

#### • Coloque el atril en la ranura del teclado.

#### • Este teclado entrará en modo de reposo cuando no se pulsen las teclas durante más de 5 minutos. Pulse cualquier tecla para despertar el teclado.

## GRABACIÓN

Pulse el botón **[Rec]** para activar la función de grabación, en la pantalla aparecerá «rEC». En este modo se grabarán todas las notas tocadas. La cantidad máxima de grabación es de 210 notas. Cuando la memoria esté llena, «Ful» parpadeará en la pantalla y la grabación se detendrá automáticamente. Pulse el botón **[Play]** para reproducir las notas grabadas, «Ply» aparecerá en la pantalla. Al finalizar la reproducción, aparecerá «rEC» en la pantalla. Puede grabar un nuevo Ritmo, o puede pulsar el botón **[Play]** para reproducir el Ritmo grabado.

Pulse el botón **[Program]** para entrar en el modo de programación de Ritmos. El Ritmo editado puede grabar 32 puntos de percusión como máximo. Pulse el botón **[Play]** para reproducir el sonido de batería editado en secuencia, formando una especie de Ritmos de creación propia una vez finalizada la programación. El mejor efecto de reproducción del Ritmo se puede obtener ajustando los botones **[Temp +/-]**. Cada vez que pulse el botón **[Program]** se borrará la última memoria y entrará de nuevo en el modo de programación.

## FUNCIÓN TEACHING

### Enseñanza:

Seleccione la canción que desea aprender pulsando los botones numéricos **[0-9]** o **[+/-]** después de haber pulsado el botón **[Teaching]**. La pantalla LCD muestra el número de la canción actual. La función de enseñanza de una tecla es especial para el aprendizaje de canciones. Le recordará la nota que debe tocar en ese momento. No es necesario conocer el tono ni la corrección de las notas. Una vez aprendida una canción, aprenderá repetidamente la canción actual o la siguiente de forma automática. Pulse el botón **[Start/Stop]** o pulse de nuevo el botón **[Teaching]** para salir de la función de aprendizaje.

**Nota:** Las teclas tocadas correctamente pueden ser reproducidas, no hay respuesta a las teclas tocadas incorrectamente en el siguiente modo de función de enseñanza. Aprenderá repetidamente la canción actual o la siguiente automáticamente.

# FRANÇAIS

Nous vous remercions d'avoir acheté un produit MAX Music. Veuillez lire la présente notice avant l'utilisation afin de pouvoir en profiter pleinement. Veuillez lire la notice avant toute utilisation. Respectez impérativement les instructions afin de continuer à bénéficier de la garantie. Prenez toutes les précautions nécessaires pour éviter tout incendie ou décharge électrique. Seul un technicien spécialisé peut effectuer les réparations. Nous vous conseillons de conserver la présente notice pour pouvoir vous y reporter ultérieurement.

- Avant d'utiliser l'appareil, prenez conseil auprès d'un spécialiste. Lors de la première mise sous tension, il est possible qu'une odeur soit perceptible. C'est normal, l'odeur disparaîtra peu de temps après.
- L'appareil contient des composants porteurs de tension. N'OUVREZ JAMAIS le boîtier.
- Ne placez pas des objets métalliques ou du liquide sur l'appareil, cela pourrait causer des décharges électriques et dysfonctionnements.
- Ne placez pas l'appareil à proximité de sources de chaleur, par exemple radiateur. Ne positionnez pas l'appareil sur une surface vibrante. N'obtenez pas les ouïes de ventilation.
- L'appareil n'est pas conçu pour une utilisation en continu.
- Faites attention au cordon secteur, il ne doit pas être endommagé.
- Lorsque vous débranchez l'appareil de la prise secteur, tenez-le par la prise, ne tirez jamais sur le cordon.
- Ne branchez pas et ne débranchez pas l'appareil avec les mains mouillées.
- Seul un technicien spécialisé peut remplacer la fiche secteur et / ou le cordon secteur.
- Si l'appareil est endommagé et donc les éléments internes sont visibles, ne branchez pas l'appareil, NE L'ALLUMEZ PAS. Contactez votre revendeur. NE BRANCHEZ PAS l'appareil à un rhéostat ou un dimmer.
- Pour éviter tout risque d'incendie ou de décharge électrique, n'exposez pas l'appareil à la pluie ou à l'humidité.
- Seul un technicien habilité et spécialisé peut effectuer les réparations
- Branchez l'appareil à une prise secteur 220-240 Vac/50 Hz avec terre, avec un fusible 10-16 A.
- Pendant un orage ou en cas de non-utilisation prolongée de l'appareil, débranchez l'appareil du secteur.
- En cas de non-utilisation prolongée de l'appareil, de la condensation peut être créée. Avant de l'allumer, laissez l'appareil atteindre la température ambiante. Ne l'utilisez jamais dans des pièces humides ou en extérieur.
- Afin d'éviter tout accident en entreprise, vous devez respecter les conseils et instructions.
- N'allumez pas et n'éteignez pas l'appareil de manière répétée. Cela réduit sa durée de vie.
- Conservez l'appareil hors de la portée des enfants. Ne laissez pas l'appareil sans surveillance.
- N'utilisez pas d'aérosols pour nettoyer les interrupteurs. Les résidus créent des dépôts et de la graisse. En cas de dysfonctionnement, demandez conseil à un spécialiste.
- Ne forcez pas les réglages.
- L'appareil contient un haut-parleur pouvant engendrer des champs magnétiques. Tenez cet appareil à 60 cm au moins d'un téléviseur ou ordinateur.
- Si le produit comprend un accumulateur intégré plomb-acide, rechargez l'accumulateur tous les 3 mois en cas de non-utilisation prolongée de l'appareil. Sinon, l'accumulateur pourrait être endommagé de manière permanente.
- Si l'accumulateur est endommagé, remplacez-le par un accumulateur de même type et déposez l'ancien accumulateur dans un container de recyclage adapté.
- Si l'appareil est tombé, faites-le toujours vérifier par un technicien avant de le rallumer.
- Pour nettoyer l'appareil, n'utilisez pas de produits chimiques qui abîment le revêtement, utilisez uniquement un tissu sec.
- Tenez toujours l'appareil éloigné de tout équipement électrique pouvant causer des interférences.
- Pour toute réparation, il faut impérativement utiliser des pièces d'origine, sinon il y a risque de dommages graves et / ou de radiations dangereuses.
- Eteignez toujours l'appareil avant de le débrancher du secteur et de tout autre appareil. Débranchez tous les cordons avant de déplacer l'appareil.
- Assurez-vous que le cordon secteur n'est pas abîmé si des personnes viennent à marcher dessus. Avant toute utilisation, vérifiez son état.
- La tension d'alimentation est de 220-240Vac/50 Hz. Vérifiez la compatibilité. Si vous voyagez, vérifiez que la tension d'alimentation du pays est compatible avec l'appareil.
- Conservez l'emballage d'origine pour pouvoir transporter l'appareil en toute sécurité.



Ce symbole doit attirer l'attention de l'utilisateur sur les tensions élevées présentes dans le boîtier de l'appareil, pouvant engendrer une décharge électrique.



Ce symbole doit attirer l'attention de l'utilisateur sur des instructions importantes détaillées dans la notice, elles doivent être lues et respectées.

Cet appareil porte le symbole CE. Il est interdit d'effectuer toute modification sur l'appareil. La certification CE et la garantie deviendraient caduques !

**NOTE:** Pour un fonctionnement normal de l'appareil, il doit être utilisé en intérieur avec une plage de température maximale autorisée entre 5°C/41°F et 35°C/95°F.



Ne jetez pas les produits électriques dans la poubelle domestique. Déposez-les dans une décharge. Demandez conseil aux autorisés ou à votre revendeur. Données techniques réservées. Les valeurs actuelles peuvent varier d'un produit à l'autre. Tout droit de modification réservé sans notification préalable.

*N'essayez pas de réparer l'appareil vous-même. Vous perdriez tout droit à la garantie. Ne faites aucune modification sur l'appareil. Vous perdriez tout droit à la garantie. La garantie deviendrait également caduque en cas d'accidents ou dommages causés par une utilisation inappropriée de l'appareil ou un non-respect des consignes présentes dans cette notice. MAX Music ne pourrait être tenu responsable en cas de dommages matériels ou corporels causés par un non-respect des consignes de sécurité et avertissements. Cela est également valable pour tous les dommages quelle que soit la forme.*

## INSTRUCTIONS DE DÉBALLAGE

---

**ATTENTION** Déballez soigneusement la boîte dès réception. Vérifiez le contenu pour vous assurer que toutes les pièces sont présentes et qu'elles ont été reçues en bon état. Notifiez immédiatement l'expéditeur et conservez les matériaux d'emballage si des pièces semblent endommagées par le transport ou si l'emballage lui-même présente des signes de mauvaise manipulation. Conservez l'emballage et tous les matériaux d'emballage. Si le produit doit être renvoyé, il est important qu'il le soit dans la boîte et l'emballage d'origine. Si l'appareil a été exposé à de fortes variations de température (par exemple après le transport), ne l'allumez pas immédiatement. L'eau de condensation qui en résulterait pourrait endommager votre appareil. Laissez l'appareil éteint jusqu'à ce qu'il ait atteint la température ambiante.

## ALIMENTATION

---

L'étiquette située sous le produit indique à quel type d'alimentation électrique le produit doit être raccordé. Vérifiez que la tension du réseau correspond à celle-ci, toute autre tension pouvant entraîner des dommages irréparables. Le produit doit également être branché directement sur le secteur, sans variateur ni alimentation réglable.



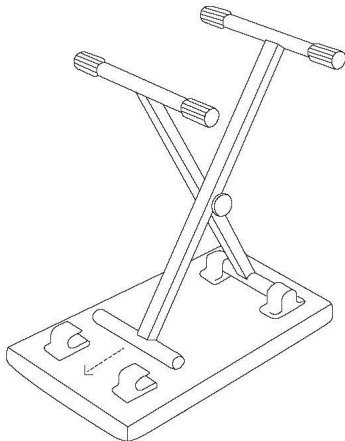
Branchez toujours l'appareil sur un circuit protégé (disjoncteur ou fusible). Assurez-vous que l'appareil dispose d'une mise à la terre électrique appropriée afin d'éviter tout risque d'électrocution ou d'incendie.

## INSTRUCTIONS DE MONTAGE BANC

---

1. Placez le siège à l'envers.
2. Soulever les jambes gauche et droite vers le haut.
3. Glissez les supports de jambes dans les supports pour verrouiller les jambes en position.
4. Tourner les capuchons pour stabiliser le banc.

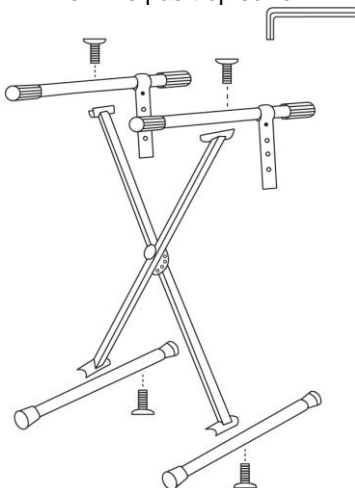
**REMARQUE:** assurez-vous que les supports de jambe sont entièrement insérés dans le support. Asseyez-vous et jouez de la musique comme jamais auparavant.



## INSTRUCTIONS D'ASSEMBLAGE PIED

---

1. Placez les pieds sur le sol dans la position indiquée sur l'illustration.
2. A l'aide des vis, fixez le support en X sur les pieds à l'aide de la clé Allen
3. Placez les barres de support supérieures sur la partie supérieure du support et fixez-les à l'aide des vis à l'aide de la clé Allen. Ne pas trop serrer



# CONTRÔLES



## 1. HAUT-PARLEURS

Haut-parleurs destinés à reproduire le son de la musique jouée. Le niveau sonore est déterminé en fonction du réglage du volume.

## 2. POWER

Appuyez sur cette touche pour mettre l'appareil sous/hors tension.

## 3. MASTER VOLUME

Appuyez sur le bouton **[Master Vol +/-]** pour augmenter ou diminuer le volume principal. Le clavier dispose de 9 niveaux de volume, de 00 à 08. Appuyez simultanément sur les deux boutons pour rétablir la valeur par défaut.

## 4. RHYTHM VOLUME

Appuyez sur le bouton **[Rhythm Vol +/-]** pour augmenter ou diminuer le volume de l'accompagnement. Il existe 9 niveaux de volume. Le volume par défaut est de 06. Appuyez simultanément sur les deux boutons pour rétablir la valeur par défaut.

## 5. CHORD VOLUME

Appuyez sur le bouton **[Chord Vol +/-]** pour augmenter ou diminuer le volume de l'accompagnement. Il existe 9 niveaux de volume. Le volume par défaut est 07. Appuyez simultanément sur les deux boutons pour rétablir la valeur par défaut.

## 6. TEMPO

Appuyez sur le bouton **[Tempo +/-]** pour augmenter ou diminuer le tempo du rythme, de la pulsation ou de la démo. La valeur par défaut du tempo est 120. La zone de réglage est comprise entre 30 et 240. Appuyez simultanément sur les deux boutons pour rétablir la valeur par défaut.

## 7. PLAY

Appuyez sur le bouton **[Play]** pour lire les notes ou les rythmes enregistrés.

## 8. RECORD

Appuyez sur **[REC]** pour activer la fonction d'enregistrement, « rEC » s'affiche à l'écran.

## 9. PROGRAM

Appuyez sur **[Program]** pour activer la fonction de programmation du rythme.

## 10. RHYTHM

Il existe 4 types de voix de rythme stockées sur le clavier : 1/4 temps, 2/4 temps, 3/4 temps et 4/4 temps. Appuyez sur le bouton **[Beat]** pour changer de rythme.

## 11. START/STOP

Appuyez sur le bouton **[Start/Stop]** pour jouer le rythme, appuyez à nouveau sur le bouton **[Start/Stop]** pour quitter cette fonction.

## 12. SYNC

Appuyez sur le bouton **[Sync]** pour accéder à la fonction de synchronisation avant que le rythme ne soit joué. Appuyez sur l'une des 19 touches de la main gauche pour lancer la lecture du rythme. Le point de battement s'affiche sur l'écran LCD. L'écran affiche la sonorité ou le rythme en cours. Si la fonction d'accord a démarré, appuyez sur la touche correspondante dans la zone d'accord des 19 touches, l'accord automatique démarre. Appuyez à nouveau sur le bouton **[Sync]** pour quitter cette fonction.

## 13. FILL IN

Appuyez sur le bouton **[FILL-IN]** pour ajouter un interlude au rythme. Le remplissage joué est déterminé par le rythme d'accompagnement sélectionné. Après le remplissage, le rythme d'accompagnement sélectionné continue d'être joué.

## 14. INTRO/ENDING

Appuyez sur la touche **[Intro/Ending]** pour lancer la lecture du prélude, puis passez au rythme régulier pour continuer. Pendant la lecture du rythme, appuyez sur le bouton **[Intro/Ending]** pour lancer la lecture d'un code de fin.

## 15. TEACHING

Appuyez sur la touche **[Teaching]** pour accéder à la fonction d'enseignement. Appuyez sur les touches numériques **[1-9]** ou sur la touche **[+/-]** pour sélectionner le morceau à apprendre. La fonction d'enseignement vise l'apprentissage de la durée, et il n'y a pas d'exigence concernant la hauteur ou la créativité. Ce mode permet de faire des erreurs en jouant sur les touches, mais le clavier joue toujours des notes correctes. Appuyez à nouveau sur le bouton **[Teaching]** pour quitter cette fonction.

## 16. SINGLE CHORD

Appuyez sur le bouton **[Rhythm]** puis sur le bouton **[Single chord]** pour lancer l'accompagnement à un doigt. Appuyez sur n'importe quelle touche des 19 touches de gauche pour lancer le rythme. Appuyez sur une touche différente du clavier gauche pour sélectionner un accord différent. La touche sur laquelle vous appuyez détermine toujours la fondamentale de l'accord que vous avez joué. Appuyez sur le bouton **[Start/Stop]** pour mettre fin à cette fonction.

## 17. FINGER CHORD

Appuyez sur le bouton **[Rhythm]** puis sur le bouton **[Finger chord]** pour lancer l'accompagnement au doigt. Appuyez sur n'importe quelle touche des 19 touches de gauche pour lancer le rythme. Appuyez sur une touche différente du clavier gauche pour sélectionner un accord différent. Appuyez sur le bouton **[Start/Stop]** pour terminer l'effet.



## 18. CHORD CLEAR

Appuyez sur le bouton **[Chord clear]** pour mettre fin à l'accompagnement sous forme d'accord, le rythme continuera à être joué.

## 19. TRANSPOSE

Appuyez sur le bouton **[Transpose +/-]** pour augmenter ou diminuer la valeur de transposition de +/- 6 niveaux et décaler la hauteur de l'ensemble du clavier vers le haut ou vers le bas par intervalles d'un demi-ton. Appuyez simultanément sur les deux boutons pour réinitialiser la valeur par défaut.

## 20. VOLUME +/- (MP3)

Appuyez sur cette touche pour augmenter/diminuer le volume (MP3).

## 21. NEXT (MP3)

Appuyez sur cette touche pour passer à la piste suivante en MP3.

## 22. PREVIOUS (MP3)

Appuyez sur cette touche pour accéder à la piste précédente d'un fichier MP3.

## 23. PLAY/STOP (MP3)

Appuyez sur cette touche pour lire ou arrêter le MP3.

## 24. Sound effect (MP3)

Appuyez sur cette touche pour régler le volume des chansons et des sons MP3.

## 25. DEMO

Appuyez sur **[DEMO]** pour lire les chansons en mode de lecture continue et commencez par les numéros de chansons "00" à "39" ou appuyez sur les boutons **[+]** ou **[-]** pour choisir les bons numéros des chansons dont vous avez besoin. Si vous souhaitez arrêter, appuyez à nouveau sur la touche **[DEMO]** ou appuyez simplement sur la touche **[Start/Stop]**.

## 26. RHYTHM

Il y a au total 300 rythmes. Appuyez sur la touche **[Rhythm]** pour lancer le rythme dont vous avez besoin. Les rythmes commencent de "000" à "299". Vous pouvez appuyer sur les touches numériques **[0-9]** ou sur les touches **[+]** ou **[-]**. Si l'entrée se situe en dehors de cette plage, elle sera inefficace.

## 27. TONE

Il existe au total 300 tonalités. Appuyez sur le bouton **[Tone]** pour lancer la tonalité dont vous avez besoin. Les tonalités commencent de "000" à "299". Vous pouvez appuyer sur les chiffres **[0-9]** ou sur les boutons **[+]** ou **[-]**. Si l'entrée est en dehors de cette plage, elle sera inefficace.

## 28. SUSTAIN

Appuyez sur le bouton **[Sustain]** pour prolonger le son de la touche. Appuyez à nouveau sur le bouton **[Sustain]** pour quitter cette fonction.

## 29. VIBRATO

Appuyez sur le bouton **[Vibrato]** pour activer l'effet de vibrato. Appuyez à nouveau sur le bouton **[Vibrato]** pour désactiver l'effet.

## 30. DOUBLE VOICE

Appuyez sur le bouton **[Double Voice]** pour lancer la fonction de double voix. La sonorité exécutée est une sonorité composée de deux types de sonorités. Le nom de la tonalité affichée est maintenant la dernière tonalité. La sonorité précédente est la sonorité avant que vous n'appuyiez sur Double Voice. Appuyez à nouveau sur le bouton **[Double Voice]** pour quitter cette fonction.

## 31. KEYBOARD SPLIT

Appuyez sur le bouton **[Keyboard Split]** pour diviser le clavier en clavier gauche et clavier droit. Les 24 touches de gauche constituent le clavier de gauche et le reste des touches est divisé en clavier de droite. La voix du clavier droit peut être sélectionnée en appuyant sur le numéro des boutons du groupe numérique. La voix du clavier gauche est initialement définie par le producteur. Appuyez à nouveau sur le bouton pour désactiver l'effet de partage.

## 32. TOUCH

Le clavier est doté d'une fonction tactile automatiquement au démarrage. Vous pouvez jouer avec l'intensité des différentes touches pour obtenir un volume différent. Appuyez sur le bouton **[Touch]** pour quitter cette fonction.

## 33. PAD NUM +/-

Appuyez sur **[+/-]** ou sur "000" à "299" dans les boutons du groupe numérique pour sélectionner l'accompagnement.

## 34. AFFICHAGE LCD

Affiche le mode actuel, les notes à jouer, le rythme, le tempo, etc.

# CONNEXIONS

## 35. Prise USB

Prise pour brancher le câble d'alimentation micro USB fourni.

Fonction MP3 :

Le clavier prend en charge la lecture USB. Vous pouvez utiliser la prise USB pour lire des chansons MP3. Les boutons du clavier permettent de régler la fonction MP3.

## 36. SORTIE MIDI

Connectez le clavier à un autre appareil compatible MIDI. Transférez des informations avec l'ordinateur dans les deux sens, par exemple, vous pouvez enregistrer la musique que vous avez jouée sur le clavier sur l'ordinateur.

## 37. ENTRÉE MICROPHONE

Connectez un microphone au port MIC pour chanter tout en jouant sur le clavier.

## 38. CASQUE/SORTIE

Lorsque vous connectez un casque au port PHONES/OUTPUT, le haut-parleur est automatiquement désactivé. Vous pouvez jouer sans déranger les autres et sans que les autres vous dérangent

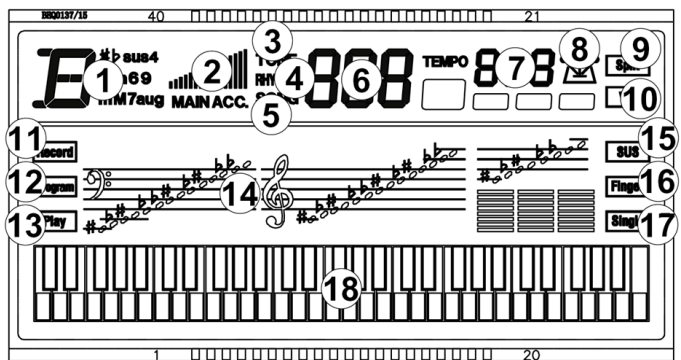
## 39. ENTRÉE 9V DC

Prise pour brancher l'adaptateur 9V fourni.



## AFFICHAGE

1. Zone d'affichage des accords
2. Volume
3. Tonalité
4. Rythme
5. Démo
6. Affichage des numéros
7. Tempo
8. Battement (le métronome indique le battement actuel)
9. Split
10. Vibrato
11. Enregistrement
12. Programme
13. Jouer
14. Notation de la portée
15. Soutenir
16. Accord au doigt
17. Accord simple
18. Affichage des touches en noir et blanc



## AVANT DE COMMENCER

### MISE SOUS TENSION:

#### • En utilisant l'adaptateur AC-DC:

Utilisez l'adaptateur d'alimentation spécial fourni avec ce clavier électronique ou un adaptateur d'alimentation avec une tension de sortie de 9V DC 500mA. Insérez la fiche DC ou l'adaptateur d'alimentation dans la prise d'alimentation DC 9V sur le panneau arrière du clavier électronique, insérez l'autre extrémité dans la prise principale, allumez l'interrupteur d'alimentation et commencez l'exécution.

#### • Utilisation de piles : (non incluses):

Ouvrez le couvercle du compartiment à piles situé sur le panneau inférieur du clavier électronique. Insérez 6 piles AA en respectant la polarité indiquée sur le boîtier. Replacer le couvercle du compartiment en veillant à ce qu'il s'enclenche fermement.

• Placez le pupitre dans l'emplacement du clavier.

• Ce clavier se met en veille si les touches ne sont pas actionnées pendant plus de 5 minutes. Appuyez sur n'importe quelle touche pour réveiller le clavier.

## ENREGISTREMENT

Appuyez sur la touche **[Rec]** pour activer la fonction d'enregistrement. Dans ce mode, toutes les notes jouées sont enregistrées. La quantité maximale d'enregistrement est de 210 notes. Lorsque la mémoire est pleine, « Ful » clignote à l'écran et l'enregistrement s'arrête automatiquement. Appuyez sur le bouton **[Play]** pour lire les notes enregistrées, « Ply » s'affiche à l'écran. Une fois la lecture terminée, « rEC » s'affiche à l'écran. Vous pouvez enregistrer un nouveau rythme ou appuyer sur le bouton **[Play]** pour lire le rythme enregistré.

Appuyez sur la touche **[Program]** pour passer en mode de programmation des rythmes. Le rythme édité peut enregistrer 32 points de batterie au maximum. Appuyez sur le bouton **[Play]** pour jouer le son de batterie édité dans l'ordre, formant ainsi une sorte de rythme personnalisé une fois la programmation terminée. Il est possible d'obtenir le meilleur effet de jeu du rythme en réglant les boutons **[Temp +/-]**. Chaque fois que vous appuyez sur le bouton **[Program]**, la dernière mémoire est effacée et le mode de programmation est rétabli.

## FONCTION D'ENSEIGNEMENT

### Enseignement:

Choisissez la chanson que vous souhaitez apprendre à l'aide des touches numériques **[0-9]** ou **[+/-]** après avoir appuyé sur la touche **[Teaching]**. L'écran LCD affiche le numéro de la chanson en cours. La fonction d'apprentissage à l'aide d'une touche est spécialement conçue pour l'apprentissage des morceaux. Elle rappelle la note qui doit être jouée à ce moment-là. Elle n'a pas d'exigence concernant la hauteur et la justesse des notes. Si une chanson a déjà été apprise, l'appareil apprend automatiquement la chanson actuelle ou la suivante. Appuyez sur le bouton **[Start/Stop]** ou appuyez à nouveau sur le bouton **[Teaching]** pour quitter la fonction d'apprentissage.

**Remarque:** Les touches jouées correctement peuvent être jouées, il n'y a pas de réponse aux touches jouées incorrectement dans le mode de fonction d'apprentissage suivant. L'appareil apprend automatiquement et de manière répétée le morceau actuel ou le morceau suivant.

# POLSKI

Gratulujemy zakupu tego produktu firmy MAX Music. Prosimy o dokładne zapoznanie się z niniejszą instrukcją przed rozpoczęciem korzystania z urządzenia, aby w pełni wykorzystać wszystkie jego funkcje. Przeczytaj instrukcję przed rozpoczęciem korzystania z urządzenia. Postępuj zgodnie z instrukcjami, aby nie unieważnić gwarancji. Podjąć wszelkie środki ostrożności, aby uniknąć pożaru i/lub porażenia prądem. Naprawy mogą być wykonywane wyłącznie przez wykwalifikowanego technika, aby uniknąć porażenia prądem. Instrukcję należy zachować do wykorzystania w przyszłości.

- Przed rozpoczęciem użytkowania urządzenia należy zasięgnąć porady specjalisty. Przy pierwszym włączeniu urządzenia może pojawić się nieprzyjemny zapach. Jest to normalne i po chwili zniknie.
- Urządzenie zawiera części przewodzące napięcie. Dlatego NIE należy otwierać obudowy.
- Nie należy umieszczać metalowych przedmiotów ani wlewać płynów do urządzenia. Może to spowodować porażenie prądem elektrycznym i nieprawidłowe działanie.
- Nie należy umieszczać urządzenia w pobliżu źródeł ciepła, takich jak grzejniki itp. Nie umieszczać urządzenia na wibrującej powierzchni. Nie zakrywać otworów wentylacyjnych.
- Urządzenie nie nadaje się do pracy ciągłej.
- Należy zachować ostrożność z przewodem zasilającym i nie wolno go uszkodzić. Wadliwy lub uszkodzony przewód sieciowy może spowodować porażenie prądem elektrycznym i wadliwe działanie.
- Podczas odłączania urządzenia od gniazdka sieciowego należy zawsze wyciągać wtyczkę, a nie przewód.
- Nie należy podłączać ani odłączać urządzenia mokrymi rękami.
- Jeśli wtyczka i/lub przewód sieciowy są uszkodzone, należy je wymienić przez wykwalifikowanego technika.
- Jeśli urządzenie jest uszkodzone w takim stopniu, że widoczne są części wewnętrzne, NIE podłączać urządzenia do gniazdka sieciowego i NIE włączać urządzenia. Skontaktować się ze sprzedawcą.
- Aby uniknąć zagrożenia pożarem i porażeniem prądem, nie wystawiać urządzenia na działanie deszczu i wilgoci.
- Wszystkie naprawy powinny być wykonywane wyłącznie przez wykwalifikowanego technika.
- Podłączyć urządzenie do uzziemionego gniazdka sieciowego (220-240Vac/50Hz) zabezpieczonego bezpiecznikiem 10-16A.
- Podczas burzy z piorunami lub jeśli urządzenie nie będzie używane przez dłuższy okres czasu, należy odłączyć je od sieci elektrycznej. Zasada jest taka sama: Gdy urządzenie nie jest używane, należy je odłączyć od sieci zasilającej.
- Jeśli urządzenie nie było używane przez dłuższy okres czasu, może dojść do kondensacji pary wodnej. Przed włączeniem urządzenie powinno osiągnąć temperaturę pokojową.
- Nigdy nie używać urządzenia w wilgotnych pomieszczeniach lub na zewnątrz.
- Aby zapobiec wypadkom w firmach, należy postępować zgodnie z obowiązującymi wytycznymi i instrukcjami.
- Nie należy wielokrotnie włączać i wyłączać urządzenia. Skraca to żywotność urządzenia.
- Przechowywać urządzenie w miejscu niedostępnym dla dzieci. Nie pozostawiać urządzenia bez nadzoru.
- Do czyszczenia przełączników nie używać sprayów czyszczących. Pozostałości tych sprayów powodują osadzanie się kurzu i smaru. W przypadku awarii należy zawsze zasięgnąć porady specjalisty.
- Nie wolno wymuszać używania elementów sterujących.
- Wewnątrz urządzenia znajduje się głośnik, który może powodować pole magnetyczne. Urządzenie należy trzymać w odległości co najmniej 60 cm od komputera lub telewizora.
- Jeśli ten produkt ma wbudowany akumulator kwasowo-ołowiowy. Jeśli nie zamierzasz używać produktu przez dłuższy okres czasu, ładuj go co 3 miesiące. W przeciwnym razie bateria może ulec trwałemu uszkodzeniu.
- Jeśli bateria jest uszkodzona, należy wymienić ją na baterię o tej samej specyfikacji. Uszkodzoną baterię należy utylizować w sposób przyjazny dla środowiska.
- Jeśli urządzenie upadło, przed ponownym włączeniem należy je sprawdzić przez wykwalifikowanego technika.
- Do czyszczenia urządzenia nie należy używać środków chemicznych. Uszkodzą one lakier. Urządzenie należy czyścić wyłącznie suchą ściereczką.
- Trzymać z dala od sprzętu elektronicznego, który może powodować zakłócenia.
- Do napraw należy używać wyłącznie oryginalnych części zamiennych, w przeciwnym razie może dojść do poważnych uszkodzeń i/lub niebezpiecznego promieniowania.
- Przed odłączeniem urządzenia od sieci elektrycznej i/lub innych urządzeń należy je wyłączyć. Przed przeniesieniem urządzenia należy odłączyć wszystkie przewody i kable.
- Upewnić się, że przewód zasilający nie może zostać uszkodzony, gdy ludzie chodzą po nim. Przed każdym użyciem należy sprawdzić przewód sieciowy pod kątem uszkodzeń i usterek!
- Napięcie sieciowe wynosi 220-240Vac/50Hz. Sprawdź, czy gniazdo zasilania pasuje. W przypadku podróży należy upewnić się, że napięcie sieciowe w danym kraju jest odpowiednie dla tego urządzenia.
- Należy zachować oryginalne opakowanie, aby umożliwić bezpieczny transport urządzenia.



Ten znak zwraca uwagę użytkownika na wysokie napięcie, które jest obecne w środku obudowy urządzenia. Napięcie jest wystarczające, aby porazić użytkownika.



Ten znak zwraca uwagę użytkownika do ważnych informacji, które znajdują się w instrukcji. Informacje te powinny być przeczytane oraz uwzględnione w codziennym użytkowaniu

Urządzenie posiada certyfikat CE. **Nie wolno** wprowadzać żadnych zmian w urządzeniu. Każda modyfikacja sprzętu spowoduje utratę certyfikatu CE oraz gwarancji!

**UWAGA:** Urządzenie może funkcjonować w pomieszczeniach o temperaturze pomiędzy 5°C/41°F oraz 35°C/95°F.



**WAŻNA INFORMACJA:** Urządzenia elektryczne muszą być składowane w miejscach do tego przeznaczonych. Sprawdź, gdzie w Twojej okolicy znajduje się najbliższe centrum recyklingu. Specyfikacja techniczna poszczególnych urządzeń może się nieznacznie różnić. Specyfikacja może ulec zmian bez powiadomienia.

*Nie próbuj dokonywać żadnych napraw samodzielnie, to spowoduje unieważnienie gwarancji. Gwarancja nie dotyczy uszkodzeń spowodowanych niewłaściwym użytkowaniem sprzętu, niezgodnie z instrukcją. MAX Music nie jest odpowiedzialny za uszczerbek na zdrowiu oraz kontuzje spowodowane niestosowaniem się do zaleceń bezpieczeństwa. Dotyczy to wszelakich uszkodzeń.*

## INSTRUKCJA ROZPAKOWYWANIA

**PRZESTROGA** Ostrożnie rozpakuj pudełko po jego otrzymaniu. Sprawdź zawartość, aby upewnić się, że wszystkie części są obecne i zostały dostarczone w dobrym stanie. Niezwłocznie powiadom nadawcę i zachowaj materiały opakowaniowe, jeśli jakiegokolwiek części wyglądają na uszkodzone podczas transportu lub sama paczka wykazuje oznaki niewłaściwego obchodzenia się z nią. Należy zachować paczkę i wszystkie materiały opakowaniowe. Jeśli produkt musi zostać zwrócony, ważne jest, aby został zwrócony w oryginalnym fabrycznym pudełku i opakowaniu. Jeśli urządzenie było narażone na drastyczne wahania temperatury (np. po transporcie), nie należy go od razu włączać. Powstająca woda kondensacyjna może uszkodzić urządzenie. Pozostaw urządzenie wyłączone, aż osiągnie temperaturę pokojową.

## ZASILANIE

Etykieta na spodzie produktu wskazuje, do jakiego typu źródła zasilania należy podłączyć produkt. Należy sprawdzić, czy napięcie sieciowe odpowiada temu typowi, inne napięcia mogą spowodować nieodwracalne uszkodzenia. Produkt musi być również podłączony bezpośrednio do sieci, bez ściemniacza lub regulowanego zasilacza.

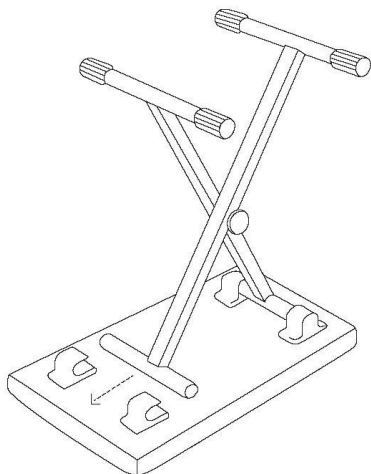


Urządzenie należy zawsze podłączać do zabezpieczonego obwodu (wyłącznik automatyczny lub bezpiecznik). Upewnij się, że urządzenie ma odpowiednie uziemienie elektryczne, aby uniknąć ryzyka porażenia prądem lub pożaru.

## INSTRUKCJA MONTAŻU ŁAWKI

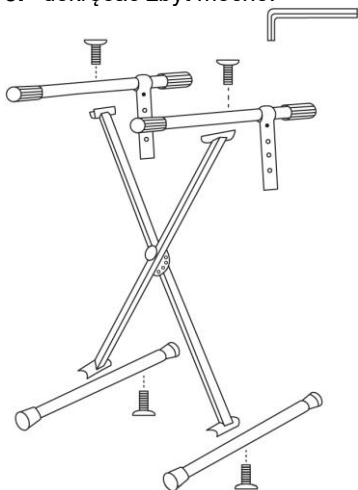
1. Umieść siedzisko do góry nogami.
2. Podnieś lewą i prawą nogę do góry.
3. Wsuń wsporniki nóg we wsporniki, aby zablokować nogi w odpowiedniej pozycji.
4. Obróć nakładki, aby ustabilizować ławkę.

**UWAGA:** upewnij się, że wsporniki nóg znajdują się całkowicie wewnątrz wspornika. Usiądź i odtwarzaj muzykę jak nigdy dotąd.



## INSTRUKCJA MONTAŻU STOJAKA

1. Umieść nóżki na podłodze w pozycji wskazanej na ilustracji.
2. Używając śrub, przymocuj wspornik X do nóżek za pomocą klucza imbusowego
3. Umieść górne pręty podtrzymujące na górnej części wspornika i zabezpiecz śrubami za pomocą klucza imbusowego. Nie
- 4.
5. dokręcać zbyt mocno.



# OPERACJA



- 1. GŁOŚNIKI**  
Głośniki odtwarzające dźwięk odtwarzanej muzyki. Poziom dźwięku jest określany na podstawie ustawienia głośności.
- 2. POWER**  
Naciśnij, aby włączyć/wyłączyć zasilanie.
- 3. MASTER VOLUME**  
Naciśnij przycisk [**Master Vol +/-**], aby zwiększyć lub zmniejszyć głośność główną. Klawiatura posiada 9 poziomów głośności od 00-08. Naciśnij oba przyciski jednocześnie, aby przywrócić wartość domyślną.
- 4. RHYTHM VOLUME**  
Naciśnij przycisk [**Rythme Vol +/-**], aby zwiększyć lub zmniejszyć głośność akompaniamentu. Dostępnych jest 9 poziomów głośności. Domyślna głośność to 06. Naciśnij oba przyciski jednocześnie, aby przywrócić wartość domyślną.
- 5. CHORD VOLUME**  
Naciśnij przycisk [**Chord Vol +/-**], aby zwiększyć lub zmniejszyć głośność akompaniamentu. Dostępnych jest 9 poziomów głośności. Domyślna głośność to 07. Naciśnij oba przyciski jednocześnie, aby przywrócić wartość domyślną.
- 6. TEMPO**  
Naciśnij przycisk [**Tempo +/-**], aby zwiększyć lub zmniejszyć tempo Rhythm, Beat lub Demo. Domyślna wartość tempa to 120. Obszar regulacji wynosi 30-240. Naciśnij oba przyciski jednocześnie, aby przywrócić wartość domyślną.
- 7. PLAY**  
Naciśnij przycisk [**Play**], aby odtworzyć nagrane nuty lub rytmy.
- 8. RECORD**  
Naciśnij przycisk [**REC**], aby włączyć funkcję nagrywania, na wyświetlaczu pojawi się „rEC”.
- 9. PROGRAM**  
Naciśnij [**Program**], aby włączyć funkcję programowania rytmu.
- 10. BEAT**  
Na klawiaturze zapisane są 4 rodzaje rytmów: 1/4 taktu, 2/4 taktu, 3/4 taktu i 4/4 taktu. Naciśnij przycisk [**Beat**], aby wybrać różne rytmy.
- 11. START/STOP**  
Naciśnij przycisk [**Start/Stop**], aby odtworzyć rytm, naciśnij ponownie przycisk [**Start/Stop**], aby wyjść z tej funkcji.
- 12. SYNC**  
Naciśnij przycisk [**Sync**], aby przejść do funkcji synchronizacji przed odtworzeniem rytmu. Naciśnij dowolny z 19 przycisków po lewej stronie, aby rozpocząć odtwarzanie rytmu. Punkt Beat świeci na wyświetlaczu LCD. Wyświetlacz pokazuje bieżący ton lub rytm. Jeśli funkcja akordów została uruchomiona, naciśnij odpowiedni klawisz w obszarze akordów 19 klawiszy, rozpocznie się automatyczny akord. Naciśnij ponownie przycisk [**Sync**], aby wyjść z tej funkcji.
- 13. FILL IN**  
Naciśnij przycisk [**FILL-IN**], aby dodać przerywnik do rytmu. Odtwarzane wypełnienie zależy od wybranego rytmu akompaniamentu. Po wypełnieniu wybrany rytm akompaniamentu będzie kontynuowany.
- 14. Intro/ending**  
Naciśnij przycisk [**Intro/Ending**], aby rozpocząć odtwarzanie preludium, a następnie przejdź do zwykłego rytmu, aby kontynuować. Podczas odtwarzania rytmu naciśnij przycisk [**Intro/Ending**], aby rozpocząć odtwarzanie kodu zakończenia.
- 15. TEACHING**  
Naciśnij przycisk [**Teaching**], aby przejść do funkcji nauczania. Naciśnij przyciski numeryczne [1-9] lub [+/-], aby wybrać utwór do nauki. Funkcja uczenia ma na celu naukę na czas i nie ma wymagań dotyczących wysokości dźwięku ani kreatywności. Ten tryb pozwala na popielanie błędów podczas grania na klawiszach, ale klawiatura nadal odtwarza prawidłowe nuty. Aby wyjść z tej funkcji, należy ponownie nacisnąć przycisk [**Teaching**].
- 16. Single chord**  
Naciśnij przycisk [**Rhythm**], a następnie naciśnij przycisk [**Single chord**], aby rozpocząć akompaniament pojedynczymi palcami. Naciśnij dowolny klawisz z 19 lewych klawiszy, aby rozpocząć rytm. Naciśnij inny klawisz na lewej klawiaturze, aby wybrać inny akord. Naciśnięcie jednego klawisza zawsze określa podstawę granego akordu. Naciśnij przycisk [**Start/Stop**], aby zakończyć tę funkcję.
- 17. FINGER CHORD**  
Naciśnij przycisk [**Rhythm**], a następnie przycisk [**Finger chord**], aby rozpocząć akompaniament palcowy. Naciśnij dowolny klawisz z 19 lewych klawiszy, aby rozpocząć rytm. Naciśnij inny klawisz na lewej klawiaturze, aby wybrać inny akord. Naciśnij przycisk [**Start/Stop**], aby zakończyć efekt.
- 18. CHORD CLEAR**  
Naciśnij przycisk [**Chord clear**], aby zakończyć akompaniament w stanie akordu, rytm będzie kontynuowany.
- 19. TRANSPOSE**  
Naciśnij przycisk [**Transpose +/-**], aby zwiększyć lub zmniejszyć wartość transpozycji w górę i w dół o +/- 6 poziomów i przesunąć wysokość dźwięku całej klawiatury w górę i w dół w odstępach półtonowych. Naciśnij oba przyciski jednocześnie, aby przywrócić wartość domyślną.
- 20. VOLUME +/- (MP3)**  
Naciśnij, aby zwiększyć/zmniejszyć głośność (MP3).

## 21. NEXT (MP3)

Naciśnij, aby przejść do następnego utworu w formacie MP3.

## 22. PREVIOUS (MP3)

Naciśnij, aby odtworzyć poprzedni utwór w formacie MP3.

## 23. PLAY/STOP (MP3)

Naciśnij, aby odtworzyć lub zatrzymać MP3.

## 24. SOUND EFFECT (MP3)

Naciśnij ten przycisk, aby dostosować głośność utworów mp3 i dźwięków.

## 25. DEMO

Naciśnięcie przycisku **[DEMO]** spowoduje odtwarzanie utworów w trybie odtwarzania ciągłego i rozpocznie się od utworów o numerach od "00" do "39" lub naciśnięcie przycisku **[+]** lub **[-]** w celu wybrania odpowiednich numerów utworów. Aby zatrzymać odtwarzanie, należy ponownie nacisnąć przycisk **[DEMO]** lub po prostu nacisnąć przycisk **[Start/Stop]**.

## 26. RHYTHM

Dostępnych jest 300 rytmów. Naciśnij przycisk **[Rhythm]**, aby uruchomić żądany rytm. Rytm zaczyna się od „000” do „299”. Można naciskać przyciski **[0-9]**, **[+]** lub **[-]**. Jeśli wprowadzona wartość wykracza poza ten zakres, nie będzie ona działać.

## 27. TONE

Dostępnych jest 300 dźwięków. Naciśnij przycisk **[Tone]**, aby uruchomić żądany dźwięk. Dźwięki zaczynają się od „000” do „299”. Można naciskać przyciski **[0-9]** lub **[+]** lub **[-]**. Jeśli wejście znajduje się poza tym zakresem, będzie ono nieskuteczne.

## 28. SUSTAIN

Naciśnij przycisk **[Sustain]**, aby przedłużyć dźwięk klawisza. Naciśnij ponownie przycisk **[Sustain]**, aby wyjść z tej funkcji.

## 29. VIBRATO

Naciśnij przycisk **[Vibrato]**, aby włączyć efekt vibrato. Ponowne naciśnięcie przycisku **[Vibrato]** spowoduje wyłączenie efektu.

## 30. DOUBLE VOICE

Naciśnij przycisk **[Double Voice]**, aby uruchomić funkcję podwójnego głosu. Odtwarzany ton jest tonem składającym się z dwóch rodzajów tonów. Teraz wyświetlana nazwa tonu to drugi ton. Poprzedni dźwięk to dźwięk przed naciśnięciem przycisku Double Voice. Naciśnij ponownie przycisk **[Double Voice]**, aby wyjść z tej funkcji.

## 31. KEYBOARD SPLIT

Naciśnij przycisk **[Keyboard Split]**, aby podzielić klawiaturę na lewą i prawą. Lewe 24 klawisze będą stanowiły klawiaturę lewą, a pozostała część klawiszy zostanie podzielona na klawiaturę prawą. Głos na prawej klawiaturze można wybrać, naciskając numer na przyciskach grupy numerycznej. Głos na lewej klawiaturze jest początkowo ustawiony przez producenta. Naciśnij przycisk ponownie, aby wyłączyć efekt podziału.

## 32. TOUCH

Klawiatura automatycznie uruchamia funkcję dotykową. Możesz grać z intensywnością różnych klawiszy, które będą emitowane z różną głośnością. Naciśnij przycisk **[Touch]**, aby wyłączyć tę funkcję.

## 33. NUM PAD +/-

Naciśnij **[+/-]** lub „000” do „299” na przyciskach grup numerycznych, aby wybrać akompaniament.

## 34. WYŚWIETLACZ LCD

Wyświetla bieżący tryb, nuty do zagrania, rytm, tempo itp.

# POŁĄCZENIA

## 35. Gniazdo USB

Gniazdo do podłączenia dostarczonego kabla zasilającego micro USB.

Funkcja MP3:

Klawiatura obsługuje odtwarzanie przez USB. Za pomocą gniazda USB można odtwarzać utwory MP3. Przyciski na klawiaturze służą do regulacji funkcji MP3.



## 36. MIDI OUT

Podłącz klawiaturę do innego urządzenia kompatybilnego z MIDI. Umożliwia przesyłanie informacji z komputerem w obu kierunkach, np. zapisywanie muzyki odtwarzanej na klawiaturze na komputerze.

## 37. WEJŚCIE MIKROFONU

Podłącz mikrofon do portu MIC, aby śpiewać podczas gry na klawiaturze.

## 38. WYJŚCIE SŁUCHAWKOWE

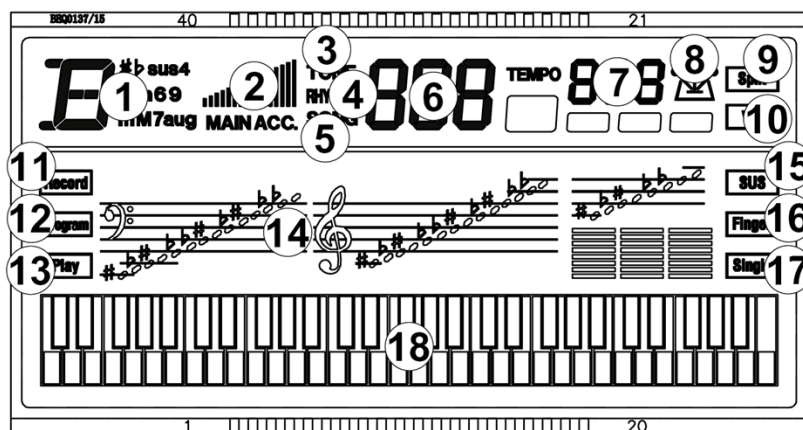
Po podłączeniu słuchawek do portu PHONES/OUTPUT głośnik zostanie automatycznie wyłączony. Możesz występować bez przeszkadzania innym i bez przeszkadzania sobie przez innych

## 39. WEJŚCIE DC 9V

Gniazdo do podłączenia dostarczonego zasilacza 9V.

# WYŚWIETLACZ

1. Obszar wyświetlania akordów
2. Głośność
3. Ton
4. Rytm
5. Demo
6. Wyświetlanie numerów
7. Tempo
8. Beat (metronom pokazuje bieżący beat)
9. Split
10. Vibrato
11. Nagrywanie
12. Program
13. Odtwarzanie
14. Notacja personelu
15. Podtrzymywanie
16. Akord palcowy
17. Pojedynczy akord
18. Czarny/biały wyświetlacz klawiszy



## PRZED ROZPOCZĘCIEM

### ZASILANIE:

#### • Za pomocą zasilacza AC-DC:

Użyj specjalnego zasilacza, w który wyposażona jest ta klawiatura elektroniczna lub zasilacza o napięciu wyjściowym DC 9V 500mA. Włóż wtyczkę DC lub zasilacz do gniazda zasilania DC 9V na tylnym panelu klawiatury elektronicznej, włóż drugi koniec do gniazda Main, włącz przełącznik zasilania i rozpocznij działanie.

#### • Korzystanie z baterii: (brak w zestawie):

Otwórz pokrywę komory baterii znajdującą się na dolnym panelu klawiatury elektronicznej. Włóż 6 baterii AA, zwracając uwagę na oznaczenie biegunowości na obudowie. Załóż pokrywę komory, upewniając się, że jest dobrze zablokowana.

#### • Umieść stojak na nuty w gnieździe klawiatury.

#### • Klawiatura przejdzie w tryb uśpienia, jeśli klawisze nie będą naciskane przez ponad 5 minut. Naciśnij dowolny klawisz, aby wybudzić klawiaturę.

## NAGRYWANIE

Naciśnij przycisk **[Rec]**, aby włączyć funkcję nagrywania, na wyświetlaczu pojawi się „rEC”. W tym trybie nagrywane są wszystkie odtwarzane nuty. Maksymalna ilość nagrań to 210 nut. Gdy pamięć zostanie zapełniona, na wyświetlaczu zacznie migać „Ful”, a nagrywanie zostanie automatycznie zatrzymane. Naciśnij przycisk **[Play]**, aby odtworzyć nagrane nuty, na ekranie pojawi się „Ply”. Po zakończeniu odtwarzania na wyświetlaczu pojawi się „rEC”. Można nagrać nowy rytm lub nacisnąć przycisk **[Play]**, aby odtworzyć nagrany rytm.

Naciśnij przycisk **[Program]**, aby przejść do trybu programowania rytmu. Edytowany rytm może zawierać maksymalnie 32 punkty perkusyjne. Naciśnij przycisk **[Play]**, aby odtworzyć edytowany dźwięk perkusji w sekwencji, tworząc rodzaj własnego rytmu po zakończeniu programowania. Najlepszy efekt odtwarzania rytmu można uzyskać, dostosowując przyciski **[Temp +/-]**. Każde naciśnięcie przycisku **[Program]** spowoduje wyczyszczenie ostatniej pamięci i ponowne przejście do trybu programowania.

## FUNKCJA UCZENIA

### Nauczanie:

Aby wybrać utwór, którego chcesz się nauczyć, użyj przycisków numerycznych **[0-9]** lub **[+/-]** po naciśnięciu przycisku **[Teaching]**. Na wyświetlaczu LCD pojawi się aktualny numer utworu. Funkcja uczenia za pomocą jednego przycisku jest specjalna do nauki utworów. Przypomina ona nutę, która powinna być aktualnie odtwarzana. Nie ma ona wymagań dotyczących wysokości i poprawności nut. Po zakończeniu nauki jednego utworu, urządzenie będzie automatycznie uczyć się bieżącego lub następnego utworu. Naciśnij przycisk **[Start/Stop]** lub ponownie przycisk **[Teaching]**, aby wyjść z funkcji uczenia.

**Uwaga:** Prawidłowo zagrane klawisze mogą być odtwarzane, nie ma reakcji na nieprawidłowo zagrane klawisze w następującym trybie funkcji uczenia. Urządzenie będzie automatycznie uczyć się bieżącego lub następnego utworu.

Gratulujeme ke koupi tohoto produktu MAX Music. Před použitím výrobku si pečlivě přečtěte tento návod, abyste mohli plně využívat všechny jeho funkce.

Před použitím přístroje si přečtěte tuto příručku. Postupujte podle pokynů, aby nedošlo ke zneplatnění záruky. Přijměte veškerá preventivní opatření, abyste zabránili požáru nebo úrazu elektrickým proudem. Opravy smí provádět pouze kvalifikovaný technik, aby nedošlo k úrazu elektrickým proudem. Návod si uschovejte pro budoucí použití.

- Před použitím přístroje se poradte s prodávajícím. Při prvním zapnutí jednotky může dojít k zápachu. To je normální a po chvíli to zmizí.
- Přístroj obsahuje části pod napětím. Proto neotvírejte jeho kryt.
- Neumisťujte do přístroje kovové předměty a nelijte na ni tekutiny. Mohlo by dojít k úrazu elektrickým proudem a poruše.
- Neumisťujte jednotku do blízkosti zdrojů tepla, jako jsou radiátory apod.
- Neumisťujte jednotku na vibrující povrch. Nezakrývejte ventilační otvory.
- Jednotka není vhodná pro trvalé používání.
- S napájecím kabelem buďte opatrní a nepoškozujte jej. Vadný nebo poškozený napájecí kabel může způsobit úraz elektrickým proudem, nebo poruchu.
- Při odpojování zařízení od zásuvky vždy tahejte za zástrčku, nikdy ne za kabel.
- Nezapojujte a neodpojujte přístroj mokřima rukama.
- Pokud je poškozena zástrčka a / nebo napájecí kabel, musí být opraveny kvalifikovaným technikem.
- Pokud je jednotka poškozena do takové míry, že jsou vidět vnitřní části, NEZAPOJUJTE jednotku do zásuvky ani ji NEZAPÍNEJTE. Kontaktujte svého prodejce. NEPŘIPOJUJTE jednotku k reostatu nebo stmívači.
- Aby nedošlo k požáru, nebo úrazu elektrickým proudem, nevystavujte jednotku dešti a vlhkosti.
- Všechny opravy musí provádět pouze kvalifikovaný technik.
- Připojte přístroj k uzemněné síťové zásuvce (220 - 240 V, střídavý / 50 Hz) chráněné pojistkou 10 - 16 A.
- Během bouřky nebo pokud nebudete jednotku delší dobu používat, odpojte ji od elektrické sítě. Pokud zařízení nepoužíváte, odpojte jej od elektrické sítě.
- Pokud jednotku nebudete delší dobu používat, může dojít ke kondenzaci vlhkosti. Než přístroj zapnete, nechejte jej dosáhnout pokojovou teplotu. Nikdy nepoužívejte jednotku ve vlhkých místnostech nebo venku.
- Abyste předešli nehodám na veřejnosti, musíte postupovat podle příslušných pokynů a instrukcí.
- Zařízení opakovaně nezapínejte a nevypínejte. Tím se zkracuje jeho životnost.
- Uchovávejte jednotku mimo dosah dětí. Nenechávejte jednotku bez dozoru.
- K čištění spínačů nepoužívejte čisticí spreje. Zbytky těchto sprejů způsobují, že se na spínačích usazuje prach a mastnota. V případě poruchy vždy vyhledejte radu od odborníka.
- Na ovládací prvky netlačte silou.
- Tato jednotka má uvnitř reproduktor, který může způsobit magnetické pole. Udržujte proto toto zařízení ve vzdálenosti alespoň 60 cm od počítače nebo televize.
- Pokud má tato jednotka vestavěnou dobíjecí baterii, tak ji dobijte alespoň 1x za 3 měsíce. Jinak může dojít k poškození baterie.
- Pokud je baterie poškozená, vyměňte ji za baterii se stejnými specifikacemi. Poškozenou baterii zlikvidujte ekologicky.
- Pokud Vám přístroj upadnul, nechte ho před opětovným zapnutím zkontrolovat kvalifikovaným technikem.
- K čištění jednotky nepoužívejte chemikálie. Poškozují lak. Jednotku čistěte pouze suchým hadříkem.
- Uchovávejte mimo dosah elektronických zařízení, která mohou způsobovat rušení.
- K opravám používejte pouze originální náhradní díly, jinak může dojít k vážnému poškození nebo nebezpečnému záření.
- Před odpojením od sítě nebo od jiného zařízení přístroj vypněte. Před přemísťováním přístroje odpojte všechny napájecí i jiné kabely.
- Zajistěte, aby nemohlo dojít k poškození síťového kabelu, když po něm lidé kráčí. Před každým použitím zkontrolujte přívodní kabel, zda není poškozený nebo vadný!
- Síťové napětí je 220 – 240 V, AC / 50Hz. Zkontrolujte, zda se napětí v zásuvce shoduje. Pokud cestujete, zkontrolujte, zda je v dané zemi pro tuto jednotku vhodné síťové napětí.
- Uschovejte originální obalový materiál, abyste mohli jednotku v případě potřeby přepravit v bezpečných podmínkách.



Tento znak upozorňuje uživatele na vysokému napětí, které je uvnitř přístroje a které je dostatečně velké, aby způsobilo nebezpečí úrazu elektrickým proudem.



Tento znak upozorňuje uživatele na důležité pokyny obsažené v této příručce, kterou by si měl před používáním přečíst a dodržovat.

Jednotka má certifikát CE. Na jednotce je zakázáno provádět jakékoli změny. Certifikát CE by tím pozbyl platnost a zboží by přišlo o záruku!

**POZNÁMKA:** Aby bylo zajištěno, že jednotka bude fungovat normálně, musí být používána v místnostech s teplotou mezi 5 °C a 35 °C.



Elektrické výrobky se nesmí ukládat do domácího odpadu. Přineste je, prosím, do recyklačního centra. Zeptejte se místních úřadů nebo prodejce na postup. Specifikace jsou typické. Skutečné hodnoty se mohou z jedné jednotky na druhou mírně změnit. Specifikace lze změnit bez předchozího upozornění.

*Nepokoušejte se sami provádět žádné opravy. To by zneplatnilo vaši záruku. Na jednotce neprovádějte žádné změny. Tím by také zanikla vaše záruka. Záruka se nevztahuje na nehody nebo škody způsobené nevhodným použitím nebo nerespektováním varování obsažených v této příručce. Max Music nemůže nést odpovědnost za zranění osob způsobená nerespektováním bezpečnostních doporučení a varování. To platí také pro všechny škody v jakékoli formě.*



## OKYNY K VYBALOVÁNÍ

**UPOZORNĚNÍ** Po obdržení krabice ji pečlivě vybalte. Zkontrolujte obsah a ujistěte se, že jsou všechny díly přítomny a byly doručeny v dobrém stavu. Pokud se některé díly zdají být poškozené při přepravě nebo samotný obal vykazuje známky špatného zacházení, neprodleně to oznamte odesílateli a ponechte si obalový materiál. Balení a veškerý obalový materiál uschovejte. Pokud je nutné výrobek vrátit, je důležité, aby byl výrobek vrácen v původní krabici a obalu od výrobce. Pokud byl přístroj vystaven prudkému kolísání teplot (např. po přepravě), nezapínejte jej ihned. Vzniklá kondenzovaná voda by mohla zařízení poškodit. Zařízení nechte vypnuté, dokud nedosáhne pokojové teploty.

## NAPÁJENÍ

Na štítku na spodní straně výrobku je uvedeno, k jakému typu napájení musí být výrobek připojen. Zkontrolujte, zda tomu odpovídá síťové napětí, všechna jiná napětí mohou způsobit nenapravitelné škody. Výrobek musí být také připojen přímo k elektrické síti, bez stmívače nebo nastavitelného zdroje.

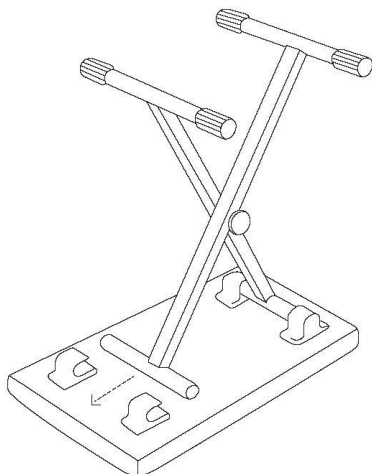


Přístroj vždy připojujte k chráněnému obvodu (jistič nebo pojistka). Ujistěte se, že má zařízení vhodné elektrické uzemnění, abyste předešli riziku úrazu elektrickým proudem nebo požaru.

## NÁVOD K MONTÁŽI LAVIČKY

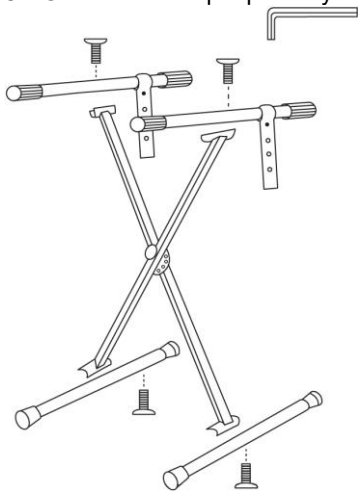
1. Umístěte sedadlo vzhůru nohama.
2. Zvedněte levou i pravou nohu nahoru.
3. Zasuňte podpěry nohou do držáků, aby se nohy zajistily ve správné poloze.
4. Otočením krytů stabilizujte lavici.

**POZNÁMKA:** ujistěte se, že podpěry nohou sedí až na doraz v držáku. Posadte se a přehrávejte hudbu jako nikdy předtím.



## NÁVOD K MONTÁŽI STOJANU

1. Umístěte nohy na podlahu do polohy uvedené na obrázku.
2. Pomocí šroubů připevněte držák X k nohám pomocí imbusového klíče.
3. Umístěte horní podpěrné tyče na horní část držáku a pomocí imbusového klíče je zajistěte šrouby. Neutahujte příliš silně.



# OPERACE



1. **REČNÍCI**  
Reproduktory pro reprodukci zvuku přehrávané hudby. úroveň zvuku se určuje na základě nastavení hlasitosti.
2. **POWER**  
Stisknutím zapnete/vypnete napájení.
3. **MASTER VOLUME**  
Stisknutím tlačítka **[Master Vol +/-]** zvýšíte nebo snížíte hlavní hlasitost. Klávesnice měla 9 úrovní hlasitosti od 00-08. Stisknutím obou současně obnovíte výchozí hodnotu.
4. **RYTHME VOLUME**  
Stisknutím tlačítka **[Rythme Vol +/-]** zvýšíte nebo snížíte hlasitost doprovodu. K dispozici je 9 úrovní hlasitosti. Výchozí hlasitost je 06. Stisknutím obou současně obnovíte výchozí hodnotu.
5. **CHORD VOLUME**  
Stisknutím tlačítka **[Chord Vol +/-]** zvýšíte nebo snížíte hlasitost doprovodu. K dispozici je 9 úrovní hlasitosti. Výchozí hlasitost je 07. Stisknutím obou současně obnovíte výchozí hodnotu.
6. **TEMPO**  
Stisknutím tlačítka **[Tempo +/-]** zvýšíte nebo snížíte tempo Rhythm, Beat nebo Demo. Výchozí hodnota tempa je 120. Oblast nastavení je 30-240. Stisknutím obou současně obnovíte výchozí hodnotu.
7. **PLAY**  
Stisknutím tlačítka **[Play]** přehrajete nahrané noty nebo rytmy.
8. **RECORD**  
Stisknutím tlačítka **[REC]** aktivujete funkci nahrávání, na displeji se zobrazí „rEC“.
9. **PROGRAM**  
Stisknutím tlačítka **[Program]** povolíte funkci programování rytmu.
10. **BEAT**  
Na klaviatuře jsou uloženy 4 druhy rytmického hlasu: V nabídce jsou čtyři taktové hlasy: 1/4 taktu, 2/4 taktu, 3/4 taktu a 4/4 taktu. Stiskněte tlačítko **[Beat]** pro jednotlivé rytmy.
11. **START/STOP**  
Stisknutím tlačítka **[Start/Stop]** přehrajete rytmus, dalším stisknutím tlačítka **[Start/Stop]** tuto funkci ukončíte.
12. **SYNC**  
Stisknutím tlačítka **[Sync]** vstoupíte do funkce Sync před přehráním Rhythm. Stiskněte libovolné tlačítko z 19 tlačítek v levé ruce tot spuštění přehrávání Rhythm. Na displeji LCD se rozsvítí bod Beat. Na displeji se zobrazí aktuální tón nebo Rhythm's. Pokud byla spuštěna funkce Akord, stiskněte příslušnou klávesu v oblasti Akord 19 kláves, spustí se automaticky akord. Opětovným stisknutím tlačítka **[Sync]** tuto funkci ukončíte.
13. **FILL IN**  
Stisknutím tlačítka **[FILL-IN]** přidáte do skladby Rhythm mezihru. Přehrávaná výplň je určena zvoleným doprovodným rytmem. Po skončení výplně bude pokračovat přehrávání vybraného doprovodného Rytmu.
14. **INTRO/ENDING**  
Stisknutím tlačítka **[Intro/Ending]** zahájíte přehrávání preludia, poté se otočíte na běžný Rytmus a pokračujete. Během přehrávání Rhythm stiskněte tlačítko **[Intro/Ending]** pro zahájení přehrávání kódu pro ukončení.
15. **TEACHING**  
Stisknutím tlačítka **[Teaching]** vstoupíte do funkce výuky. Stisknutím číselných tlačítek **[1-9]** nebo tlačítka **[+/-]** vyberte skladbu, která se má učit. Funkce výuky je zaměřena na učení po dobu trvání a nejsou zde žádné požadavky na výšku tónu nebo kreativitu. Tento režim umožňuje při hře na klávesy udělat chybu, ale klaviatura stále přehrává správné noty. Tuto funkci ukončíte opětovným stisknutím tlačítka **[Teaching]**.
16. **SINGLE CHORD**  
Stiskněte tlačítko **[Rythm]** a poté stiskněte tlačítko **[Single chord]** pro spuštění jednorstvého doprovodu. Stisknutím libovolné klávesy z levých 19 kláves spustíte Rhythm. Stisknutím různých kláves na levé klaviatuře vyberete jiný akord. Jedna stisknutá klávesa vždy určí kořen zahraniého akordu. Tuto funkci ukončíte stisknutím tlačítka **[Start/Stop]**.
17. **FINGER CHORD**  
Stiskněte tlačítko **[Rhythm]** a poté stiskněte tlačítko **[Finger chord]** pro spuštění prstokladu. Stisknutím libovolné klávesy z 19 levých tlačítek spustíte Rhythm. Stisknutím jiné klávesy na levé klaviatuře zvolíte jiný akord. Efekt ukončíte stisknutím tlačítka **[Start/Stop]**.
18. **CHORD CLEAR**  
Stisknutím tlačítka **[Chord clear]** ukončíte doprovod ve stavu akordu, Rhythm bude pokračovat v přehrávání.

## 19. TRANSPOSE

Stisknutím tlačítka **[Transpose +/-]** zvýšíte nebo snížíte hodnotu transpozice nahoru a dolů +/- 6 úrovní a posunete výšku tónu celé klaviatury nahoru a dolů v půltónových intervalech. Stisknutím obou současně obnovíte výchozí hodnotu.

## 20. VOLUME +/- (MP3)

Stisknutím zvýšíte/snížíte hlasitost (MP3).

## 21. NEXT (MP3)

Stisknutím se zobrazí další skladba ve formátu MP3.

## 22. PREVIOUS (MP3)

Stisknutím vyvoláte předchozí skladbu ve formátu MP3.

## 23. PLAY/STOP (MP3)

Stiskněte pro přehrávání nebo zastavení přehrávání MP3.

## 24. SOUND EFFECT (MP3)

Stisknutím tohoto tlačítka nastavíte hlasitost skladeb MP3 a tónů.

## 25. DEMO

Stisknutím tlačítka **[DEMO]** se spustí přehrávání skladeb v režimu nepřetržitého přehrávání a začíná se od čísla skladby "00" do "39" nebo stisknutím tlačítka **[+]** nebo **[-]** zvolíte správná čísla potřebných skladeb. Pokud chcete přehrávání zastavit, stiskněte znovu tlačítko **[DEMO]** nebo jen stiskněte tlačítko **[Start/Stop]**.

## 26. RHYTHM

K dispozici je celkem 300 rytmů. Stisknutím tlačítka **[Rhythm]** spustíte Rytmus, který potřebujete. Rytmus začíná od "000" do "299". Můžete stisknout tlačítka **[0-9]** s čísly nebo tlačítka **[+]** či **[-]**. Pokud je vstup mimo tento rozsah, bude neúčinný.

## 27. TONE

K dispozici je celkem 300 tónů. Stisknutím tlačítka **[Tone]** spustíte požadovaný tón. Tóny začínají od "000" do "299". Můžete stisknout čísla **[0-9]** nebo tlačítka **[+]** či **[-]**. Pokud je vstup mimo tento rozsah, bude neúčinný.

## 28. SUSTAIN

Stisknutím tlačítka **[Sustain]** prodloužíte zvuk klávesy. Opětovným stisknutím tlačítka **[Sustain]** tuto funkci ukončíte.

## 29. VIBRATO

Stiskněte tlačítko **[Vibrato]** a aktivuje se efekt vibrato. Opětovným stisknutím tlačítka **[Vibrato]** se efekt deaktivuje.

## 30. DOUBLE VOICE

Stisknutím tlačítka **[Double Voice]** spustíte funkci dvojitého hlasu. Provedený tón je tón, který se skládá ze dvou druhů tónů. Nyní se zobrazuje název druhého tónu. Předchozí tón je tón před stisknutím tlačítka Double Voice. Opětovným stisknutím tlačítka **[Double Voice]** tuto funkci ukončíte.

## 31. KEYBOARD SPLIT

Stisknutím tlačítka **[Keyboard Split]** rozdělíte klaviaturu na levou a pravou. Levých 24 kláves bude tvořit levorukou klaviaturu a zbývající část kláves bude rozdělena jako pravá klaviatura. Hlas na pravé klávesnici lze vybrat stisknutím čísla na tlačítkách číselné skupiny. Hlas na levé klávesnici je zpočátku nastaven výrobcem. Opětovným stisknutím tlačítka efekt rozdělení vypnete.

## 32. TOUCH

Klávesnice má při spuštění automaticky dotykovou funkci. Můžete hrát s intenzitou různých kláves bude vydávána různá hlasitost. Tuto funkci ukončíte stisknutím tlačítka **[Touch]**.

## 33. NUM PAD +/-

Stisknutím tlačítek **[+/-]** nebo „000“ až „299“ v číselné skupině tlačítek vyberte doprovod.

## 34. LCD DISPLAY

Zobrazuje aktuální režim, noty k přehrávání, rytmus, tempo atd.

## CONNECTIONS

### 35. USB poort

Zásuvka pro připojení dodaného napájecího kabelu micro USB.

Funkce MP3:

Klávesnice podporuje přehrávání přes USB. Pomocí konektoru USB můžete přehrávat skladby ve formátu MP3. Tlačítka na klávesnici upravují funkci MP3.

### 36. MIDI OUT

Připojte klaviaturu k jinému zařízení kompatibilnímu s MIDI. Přenášejte informace s počítačem oběma směry, například můžete ukládat hudbu, kterou jste na jeho klaviatuře hráli, do počítače.

### 37. VSTUP PRO MIKROFON

Připojte mikrofon k portu MIC a zpívejte při hře na klaviaturu.

### 38. SLUCHÁTKA/VÝSTUP

Při připojení sluchátek do portu PHONES/OUTPUT se automaticky vypne reproduktor. Můžete vystupovat, aniž byste rušili ostatní a ostatní rušili vás.

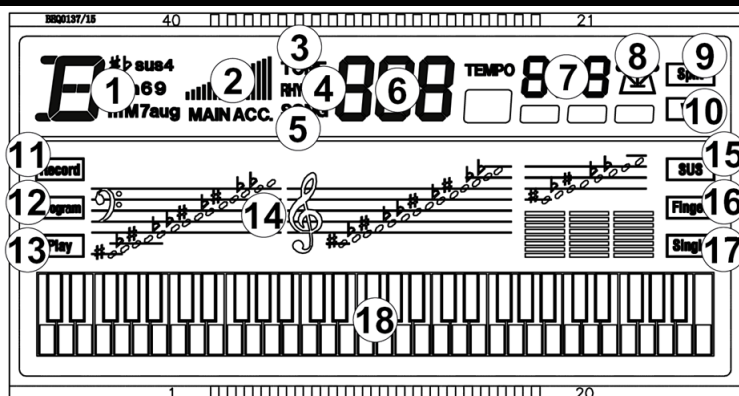
### 39. DC 9V VSTUP

Zásuvka pro připojení dodaného 9V adaptéru.



## DISPLAY

1. Zobrazení akordů Oblast
2. Hlasitost
3. Tón
4. Rytmus
5. Demo
6. Zobrazení čísla
7. Tempo
8. Beat (metronom zobrazuje aktuální beat)
9. Split
10. Vibrato
11. Nahrávání
12. Program
13. Přehrát
14. Notový zápis
15. Sustain
16. Prstový akord
17. Jednoduchý akord
18. Černobílé zobrazení kláves



## PŘED SPUŠTĚNÍM

### POWERSUPPLY:

#### • Pomocí AC-DC adaptéru:

Použijte speciální napájecí adaptér, kterým je tato elektronická klávesnice vybavena, nebo napájecí adaptér s výstupním napětím DC 9V 500mA. Zasuňte zástrčku DC nebo napájecí adaptér do konektoru DC 9V na zadním panelu elektronické klávesnice, druhý konec zasuňte do hlavní zásuvky, zapněte vypínač a spusťte výkon.

#### • Použití baterií: (nejsou součástí dodávky):

Otevřete kryt prostoru pro baterie umístěný na spodním panelu elektronické klaviatury. Vložte 6 ks baterií typu AA, přičemž dbejte na dodržení označení polarit na skříní. Vraťte kryt příhrádky a ujistěte se, že je pevně zajištěn.

#### • Umístěte notový stojan do slotu klaviatury.

#### • Tato klaviatura přejde do režimu spánku, pokud nejsou klávesy stisknuty déle než 5 minut. Stisknutím libovolné klávesy klávesnici probudíte.

## NAHRÁVÁNÍ

Stisknutím tlačítka **[Rec]** aktivujete funkci nahrávání, na displeji se zobrazí „rEC“. V tomto režimu se budou nahrávat všechny přehrávané noty. Maximální množství záznamu je 210 not. Po zaplnění paměti bude na displeji blikat „Full“ a nahrávání se automaticky zastaví. Stisknutím tlačítka **[Play]** přehrajete nahrané noty, na displeji se zobrazí „rPly“. Po dokončení přehrávání se na displeji zobrazí „rEC“. Můžete nahrát nový rytmus nebo stisknutím tlačítka **[Play]** přehrát nahraný rytmus.

Stisknutím tlačítka **[Program]** přejdete do režimu programování Rytmu. Upravený Rhythm může zaznamenat maximálně 32 bicích bodů. Stisknutím tlačítka **[Play]** postupně přehrajete upravený zvuk bicích a vytvoříte tak po dokončení programování jakýsi vlastní Rytmus. Nejlepšího efektu přehrávání Rytmu lze dosáhnout nastavením tlačítek **[Temp +/-]**. Při každém stisknutí tlačítka **[Program]** dojde k vymazání poslední paměti a opětovnému přechodu do režimu programování.

## FUNKCE VÝUKY

Vyučování: V případě, že se jedná o hudební skladbu, která se nachází v režimu výuky, je možné použít tzv:

Pro výběr skladby, kterou se potřebujete naučit, použijte číselná tlačítka **[0-9]** nebo tlačítka **[+/-]** po stisknutí tlačítka **[Teaching]**.

Na LCD displeji se zobrazí aktuální číslo skladby. Funkce učení jedním tlačítkem je speciální pro učení skladeb. Připomene notu, kterou je třeba v současné době zahrát. Nemá požadavek na výšku a správnost tónů. Jedna skladba byla naučena nadoraz, bude se opakovaně učit současnou nebo další skladbu automaticky. Funkci učení ukončíte stisknutím tlačítka **[Start/Stop]** nebo opětovným stisknutím tlačítka **[Učení]**.

**Poznámka:** Správně zahrané tóny lze přehrát, na špatně zahrané klávesy v následujícím režimu výukové funkce není žádná odezva. Opakovaně se bude automaticky učit současnou nebo následující skladbu.

# APPENDIX I (TONE)

0 Acoustic Grand Piano	75 Pan Flute	150 Magic Electronic	225 Baritone Sax ensemble
1 Bright Acoustic Piano	76 Bottle Blow	151 Bright violin	226 Crystal Sax
2 Electric Grand Piano	77 Shakuhachi	152 Atonic Violin	227 Soft Baritone Sax
3 Honky-tonk Piano	78 Whistle	153 Heavy 151 Bright Violin	228 Synth Baritone Sax
4 Rhodes Piano	79 Ocarina	154 Synth Clarinet	229 Heavy metal Sax
5 Chorused Piano	80 Lead 1 (square)	155 Interactive Lead	230 Church Oboe
6 Harpsichord	81 Lead 2 (sawtooth)	156 For the keyboard	231 Oboe ensemble
7 Clavichord	82 Lead 3 (caliope lead)	157 Bagpipes	232 Bass Oboe
8 Celesta	83 Lead 4 (chiff lead)	158 Suona	233 Bright Oboe
9 Glockenspiel	84 Lead 5 (charang)	159 Pipa	234 distortio oboe
10 Music man	85 Lead 6 (voice)	160 Church Piano	235 English Horn ensemble
11 Vibraphone	86 Lead 7 (fifths)	161 Church electric Piano	236 Pizzicato English Horn
12 Marimba	87 Lead 8 (bass+lead)	162 Synth Piano	237 Diplophonia English Horn
13 Xylophone	88 Pad 1 (new age)	163 Baritone Piano	238 Bright English Horn
14 Tubular Bells	89 Pad 2 (warm)	164 Piano PAD	239 Synth English Horn
15 Dulcimer	90 Pad 3 (polysynth)	165 String Piano	240 Psychedelic Synth Lead
16 Hammond Organ	91 Pad 4 (choir)	166 Metal Piano	241 Vibraphone Synth Lead
17 Percussive Organ	92 Pad 5 (bowed)	167 Light rhythm Piano	242 Marimba Synth Lead
18 Rock Organ	93 Pad 6 (metallic)	168 electric Piano Pad	243 Metal FX
19 Church Organ	94 Pad 7 (halo)	169 Classical piano	244 Electronic FX
20 Reed Organ	95 Pad 8 (sweep)	170 Guitar organ	245 Electronic String Ensemble
21 Accordion	96 FX 1 (rain)	171 An electric guitar	246 Wind FX
22 Harmonica	97 FX 2 (soundtrack)	172 synthesis Nylon Guitar	247 Clarinet FX
23 Tango Accordion	98 FX 3 (crystal)	173 Synthetic electronic guitar	248 Organ FX
24 Acoustic Guitar (nylon)	99 FX 4 (atmosphere)	174 Bright clean Guitar	249 Crystal FX
25 Acoustic Guitar (steel)	100 FX 5 (brightness)	175 Orchestra Guitar	250 Synth Shamisen
26 Electric Guitar (jazz)	101 FX 6 (goblins)	176 Psychedelic Guitar	251 Electronic Shamisen
27 Electric Guitar (clean)	102 FX 7 (echoes)	177 Bright Organ	252 Bright Sitar
28 Electric Guitar (muted)	103 FX 8 (sci-fi)	178 Pick Organ	253 Whistle Accord
29 Overdriven Guitar	104 Sitar	179 Synth Accordion	254 rhythm Nation
30 Distortion Guitar	105 Banjo	180 Bright Violin	255 Bright Koto
31 Guitar Harmonics	106 Shamisen	181 Stringed Violin	256 Koto Lead
32 Acoustic Bass	107 Koto	182 Trill Violin	257 Diplophonia Koto
33 Electric Bass(finger)	108 Kalimba	183 Electronic Violin	258 Baritone Koto
34 Electric Bass (pick)	109 Bagpipe	184 Large Violin	259 Synth Koto
35 Fretless Bass	110 Fiddle	185 rhythm Orchestra	260 Environmental Lead
36 Slap Bass 1	111 Shanai	186 Pizzicato Violin	261 Metal Lead
37 Slap Bass 2	112 Tinkle Bell	187 Pizzicato Ensemble 1	262 Orchestra Lead
38 Synth Bass 1	113 Agogo	188 Pizzicato Ensemble 2	263 Glockenspiel Lead
39 Synth Bass 2	114 Steel Drums	189 Percussion Band	264 Bass Lead
40 Violin	115 Woodblock	190 Baritone Synth Contrabass	265 Fifths Lead
41 Viola	116 Taiko Drum	191 Bass Flute	266 Wind Lead
42 Cello	117 Melodic Tom	192 Distortion Contrabass	267 Atmosphere Lead
43 Contra Bass	118 Synth Drum	193 Contrabass Lead	268 Sharp Lead
44 Tremolo Strings	119 Reverse Cymbal	194 Violin Lead	269 Bright Lead
45 Pizzicato Strings	120 Guitar Fret Noise	195 Cello Lead	270 East Nation Pad
46 Orchestral Harp	121 Breath Noise	196 Pizzicato Rhythm	271 Atmosphere Pad
47 Timpani	122 Seashore	197 High Harp	272 Electric bass Pad
48 String Ensemble 1	123 Bird Tweet	198 Harp ensemble	273 electric Piano Pad
49 String Ensemble 2	124 Telephone Ring	199 Synth Harp	274 Clean Guitar Pad
50 Synth Strings 1	125 Helicopter	200 Baritone Trumpet	275 Western Pad
51 Synth Strings 2	126 Applause	201 Trumpet ensemble	276 Sci-fi Pad
52 Choir Aahs	127 Gunshot	202 Rhythm Trumpet	277 Metal Sci-fi Pad
53 Voice Oohs	128 Percussion	203 High Trumpet	278 Clarinet Pad
54 Synth Voice	129 Rhythm electric Piano	204 Synth Trumpet	279 Electronic dance Pad
55 Orchestra Hit	130 Baritone Xylophone	205 Baritone Trombone	280 Double Kalimba
56 Trumpet	131 Clean Piano	206 Trombone ensemble	281 Bright Kalimba
57 Trombone	132 Bright Dulcimer	207 Rhythm Trombone	282 Crystal Kalimba
58 Tuba	133 Rhythm Grand Piano	208 High Trombone	283 Synth Kalimba
59 Muted Trumpet	134 Traditional Piano	209 Baritone Trombone	284 Electronic Bagpipe
60 French Horn	135 Aluminium jean	210 Synth Trombone	285 Wind Bagpipe
61 Brass Section	136 Rock Grand Piano	211 Violin French Horn	286 High Bagpipe
62 Synth Brass 1	137 Electronic organ	212 French Horn ensemble	287 Bright Bagpipe
63 Synth Brass 2	138 Psychedelic electronic	213 Electronic French Horn	288 Orchestra Bagpipe
64 Soprano Sax	139 Water jean	214 Synth French Horn	289 Baritone Bagpipe
65 Alto Sax	140 Bright Guitar	215 Psychedelic Synth Brass	290 Environmental Shanai
66 Tenor Sax	141 Orchestra piccolo	216 Distortion Synth Brass	291 Baritone Shanai
67 Baritone Sax	142 Heavy metal guitar	217 Vibraphone Synth Brass	292 Tenor Shanai
68 Oboe	143 Crystal guitar	218 Rock Synth Brass	293 high Shanai
69 English Horn	144 Queer electric Piano	219 Synth Muted Trumpet	294 Synth Shanai
70 Bassoon	145 Bright bass	220 Soprano Sax ensemble	295 Bright Steel Drums
71 Clarinet	146 Rock Electric Bass	221 rhythm Soprano Sax	296 Steel Drums Lead
72 Piccolo	147 Rhythm Electric Bass	222 Synth Soprano Sax	297 Lyric Steel Drums
73 Flute	148 Psychedelic Bass	223 National Sax	298 Orchestra Steel Drums
74 Recorder	149 Heavy Metal Bass	224 Metal Sax	299 Synth Steel Drums

## APPENDIX II (RHYTHM)

000 Soul 1	075 Tango1	150 Psychedelic Swing	225 Jump Samba 1
001 Soul 2	076 Tango2	151 Folk Rock 1	226 Jump Samba 2
002 Soul 3	077 Tango3	152 Folk Rock 2	227 Jump Samba 3
003 Soul 4	078 Mambo 1	153 New century 1	228 Afro Samba
004 Soul 5	079 Mambo 2	154 New century 2	229 Rock March 1
005 Soul 6	080 Rhumba 1	155 New century 3	230 Rock March 2
006 Soul 7	081 Rhumba 2	156 16 Pop 1	231 Rock March 3
007 Soul 8	082 Rhumba 3	157 16 Pop 2	232 Rock March 4
008 Slow Soul 1	083 Rhumba 4	158 Modern dance 1	233 Polka Blues 1
009 Slow Soul 2	084 Rhumba 5	159 Modern dance 2	234 Polka Blues 2
010 Slow Soul 3	085 Bequine	160 Modern dance 3	235 Polka Blues 3
011 Slow Soul 4	086 Salsa	161 Modern dance 4	236 Country Rock 1
012 Slow Soul 5	087 Merengue 1	162 Modern dance 5	237 Country Rock 2
013 Funky Soul 1	088 Merengue 2	163 8 Post Rock	238 Jazz Blues
014 Funky Soul 2	089 Vallenato	164 Classic Rock	239 Country Dance 1
015 Funky soul 3	090 Plena	165 Jazz Rock 1	240 Country Dance 2
016 Funky soul 4	091 Lambada	166 Jazz Rock 2	241 Country Dance 3
017 Funky soul 5	092 Bachata 1	167 Traditional Pop	242 World Fusion
018 Funky soul 6	093 Bachata 2	168 Country Blues	243 Chinese Traditional 1
019 Funky soul 7	094 Bachata 3	169 Indian Pop	244 Chinese Traditional 2
020 Funky soul 8	095 Samba 1	170 Hard 3 Rock	245 Chinese Traditional 3
021 West Coast	096 Samba 2	171 Classical Ballad 1	246 Thailand Rhythm
022 Euro Soul	097 Pop Samba 1	172 Classical B allad 2	247 Modern Waltz 1
023 16 AOR 1	098 Pop Samba 2	173 Classical ballad 3	248 Modern Waltz 2
024 16 AOR 2	099 Pop Samba 3	174 Classical ballad 4	249 Modern Waltz 3
025 16 Beat 1	100 Jazz Samba	175 Light Ballad	250 Modern Waltz 4
026 16 Beat 2	101 March 1	176 Deep House	251 Brit Pop Waltz 1
027 16 Beat 3	102 March 2	177 Hard House	252 Brit Pop Waltz 2
028 16 Ballad 1	103 March 3	178 House dance	253 Brit Pop Waltz 3
029 16 Ballad 2	104 March 4	179 8 Pop	254 Contemporary Waltz 1
030 Pop Dance 1	105 Polka 1	180 Japanese Folk Music	255 Contemporary Waltz 2
031 Pop Dance 2	106 Polka 2	181 Trip Hop 1	256 Modern Soul
032 Pop Dance 3	107 Polka 3	182 Trip Hop 2	257 Modern Soul 2
033 Shuffle 1	108 C & W 1	183 Chamber Pop 1	258 Modern Soul 3
034 Shuffle 2	109 C & W 2	184 Chamber Pop 2	259 Modern Soul 4
035 Shuffle 8	110 Bluegrass	185 Pop Swing 1	260 Modern Soul 5
036 Hard Rock	111 Country 1	186 Pop Swing 2	261 Modern Soul 6
037 Slow Rock 1	112 Country2	187 Pop Swing 3	262 Modern Soul 7
038 Slow Rock 2	113 Country 3	188 Pop Swing 4	263 Modern Soul 8
039 Pop Classic	114 Middle East	189 Pop Swing 5	264 Classical Soul 1
040 Blues	115 China 1	190 Pop Swing 6	265 Classical Soul 2
041 Twist	116 China 2	191 Celtic Pop	266 Classical Soul 3
042 Hard 3 Beat	117 China 3	192 Hawaiian Pop	267 Classical Soul 4
043 Love Ballad 1	118 Thailand	193 Soft Bossanova 1	268 Classical Soul 5
044 Love Ballad 2	119 Waltz 1	194 Soft Bossanova 2	269 Contemporary R&B1
045 Love Ballad 3	120 Waltz 2	185 Soft Bossanova 3	270 Contemporary R&B2
046 Love Ballad 4	121 Waltz 3	196 Soft Bossanova 4	271 Contemporary R&B3
047 Euro Beat	122 Waltz 4	197 Soft Bossanova 5	272 Contemporary R&B4
048 House 1	123 Jazz Waltz 1	198 Mento	273 Contemporary R&B5
049 House 2	124 Jazz Waltz 2	199 Shima Uta	274 Contemporary R&B6
050 Swing Beat	125 Jazz Waltz 3	200 Reggae Pop 1	275 Contemporary R&B7
051 8 Ballad	126 Country Waltz 1	201 Reggae-Pop 2	276 Contemporary R&B8
052 Step	127 Country Waltz 2	202 European Traditions	277 Deep Funk
053 Big Band 1	128 Jazz Soul 1	203 Tango Pop 1	278 European Jazz
054 Big Band 2	129 Jazz Soul 2	204 Tango Pop 2	279 70' Rock
055 Cobmo 1	130 Jazz Soul 3	205 Tango Pop 3	280 80' Rock
056 Cobmo 2	131 Jazz Soul 4	206 Rhythm Mambo 1	281 16 Soft Rock 1
057 Swing 1	132 Jazz Soul 5	207 Rhythm Mambo 2	282 16 Soft Rock 2
058 Swing 2	133 Jazz Soul 6	208 Brit Rhumba 1	283 16 Soft Rock 3
059 Swing 3	134 Jazz Soul 7	209 Brit Rhumba 2	284 16 Ballad Rock 1
060 Swing 4	135 Jazz Soul 8	210 Brit Rhumba 3	285 16 Ballad Rock 2
061 Swing 5	136 Light Beat 1	211 Brit Rhumba 4	286 Afro Dance 1
062 Swing 6	137 Light Beat 2	212 Brit Rhumba 5	287 Afro Dance 2
063 Baiao	138 Light Beat 3	213 Soul Bequine	288 Afro Dance 3
064 Bolero	139 Light Beat 4	214 Chamber pop	289 Jazz Shuffle 1
065 Bossanova 1	140 Light Beat 5	215 Neo-Merengue 1	290 Jazz Shuffle 2
066 Bossanova 2	141 Soul Psychedelic 1	216 Neo-Merengue 2	291 8 Jazz Shuffle
067 Bossanova 3	142 Soul Psychedelic 2	217 Big Beat	292 Heavy Metal Rock
068 Bossanova 4	143Soul Psychedelic 3	218 Plena Beat	293 Rock Dance 1
069 Bossanova 5	144 Soul Psychedelic 4	219 Down Tempo	294 Rock Dance 2
070 Calypso	145 Soul Psychedelic 5	220 Electric Bachata 1	295 Middle East Pop
071 Habanera	146 Soul Psychedelic 6	221 Electric Bachata 2	296 Soul Blues
072 Reggae 1	147 Soul Psychedelic 7	222 Electric Bachata 3	297 Glam Rock
073 Reggae 2	148 Soul Psychedelic 8	223 Folk Samba 1	298 Hard House
074 Jorpo	149 Goth Psychedelic	224 Folk Samba 2 2	299 Light Ballad

## APPENDIX III DEMO SONGS

No.	Song name	No.	Song name	No.	Song name
00	Turkey March	14	Chong Erfei	28	In rain
01	Red River Valley	15	Minuet in G major	29	Long time ago
02	American Patrol	16	Spanish Matador	30	Magic Flute Overture
03	Susanna	17	Serenade-Haydn	31	Silent Night
04	Mozart Piano Sinata	18	Yankee Doodle	32	Hungary Dane
05	Mariage d'amour	19	Waltz	33	Western is gone
06	Waterside Adi Lina	20	Minuet	34	Fountain
07	Smile Polka	21	Rain Melody	35	Mary had a little lamb
08	Jingle Beus	22	Frosty	36	Music box dance
09	Lardesik March	23	Old French	37	Four seasons
10	Mozart No.40	24	Blue Danube	38	Concerto of love
11	Clapping song	25	A small brown bottle	39	Destiny
12	Fur Elise	26	Hawthorn		
13	Katyusha	27	River Of Babylon		

# TECHNICAL SPECIFICATION / TECHNISCHE SPECIFICATIE / TECHNISCHE DATEN / ESPECIFICACIONES TÉCNICAS / SPÉCIFICATIONS TECHNIQUES / SPECYFIKACJA TECHNICZNA

---

Number of keys : 61  
Display : LCD  
Power Supply : 100-240VAC 50/60Hz (9V Adapter)  
Weight : 8.40 kg  
Dimensions : 945 x 315 x 105mm (stand 610 x 350 x 100mm)

The specifications are typical. The actual values can slightly change from one unit to the other. Specifications can be changed without prior notice.

The products referred to in this manual conform to the European Community Directives to which they are subject:

## European Union

Tronios B.V.,  
Bedrijvenpark Twente Noord 18,  
7602KR Almelo, The Netherlands

2014/35/EU

2014/30/EU

2011/65/EC



## United Kingdom

Tronios Ltd.,  
130 Harley Street,  
London W1G 7JU, United Kingdom

S.I. 2016:1101

S.I. 2016:1091

S.I. 2012:3032



Specifications and design are subject to change without prior notice.

**[www.tronios.com](http://www.tronios.com)**

Copyright © 2024 by Tronios The Netherlands