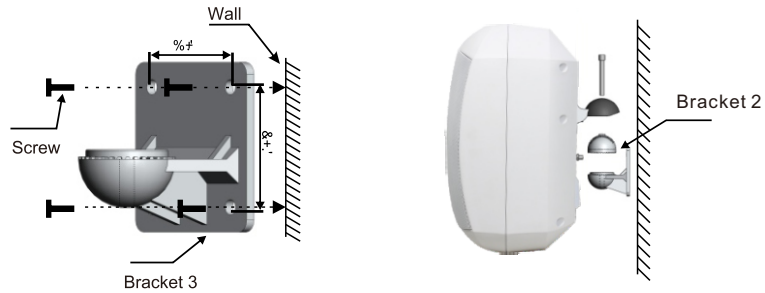
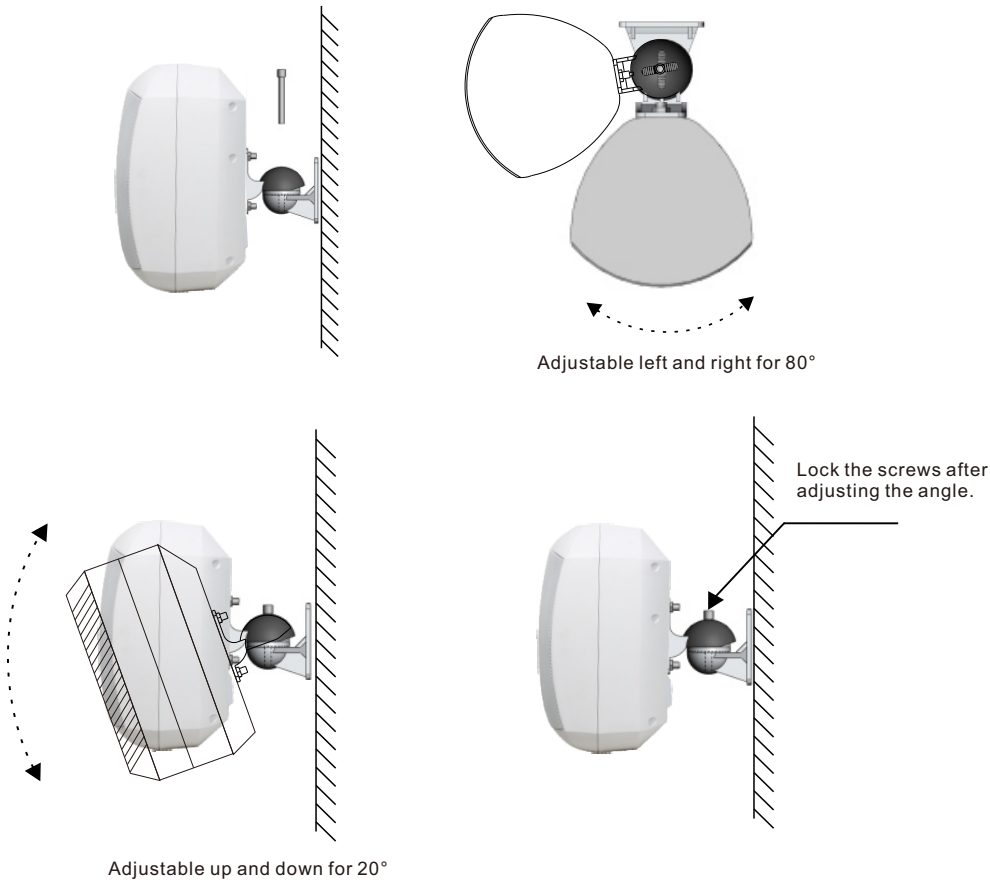


2. According to the installation plan, after drilling the hole position on the wall, the bracket 3 is fixed on the wall surface. Then the bracket 1, bracket 2, bracket 3 is assembled as shown. Make sure that the bracket is securely mounted (3 parts of the fastening bracket are supplied with screws.)



3. According to the installation plan in the adjustable range, adjust the most appropriate height, and then tighten the screws.



User's Manual



Indoor/Outdoor Wall Mount Speaker

Climate IP4 Pearl Climate IP4 Black



Specifications are subject to be changed without notice.



Features

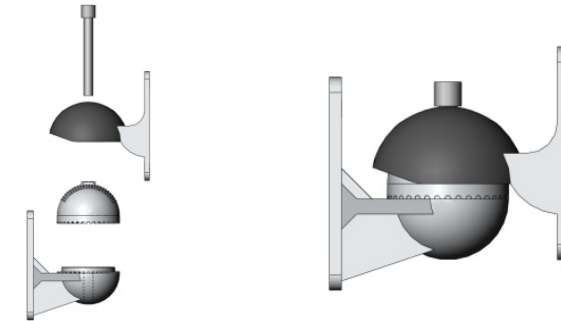
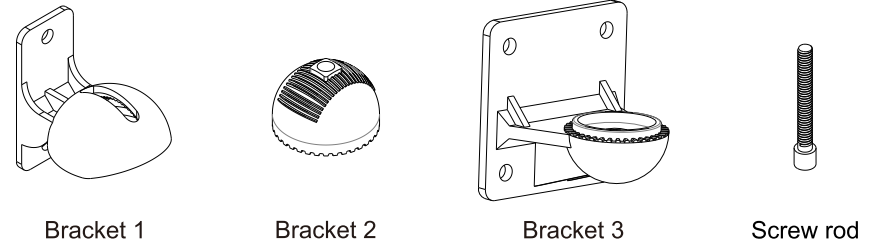
- ▶ All weather loudspeakers for music and speech.
- ▶ Stylish design with great sound
- ▶ IP66 waterproof finish for all extreme weather applications
- ▶ 4.25" weatherproof woofer and 1" silk tweeter 2-way speaker system
- ▶ ABS enclosure, stainless metal grille & stainless mounting bracket
- ▶ 70V/100V speaker with power tapping or as a low impedance 8 Ohm speaker
- ▶ Supplied with 360° rotatable bracket for horizontal and vertical installation angle adjustment
- ▶ Black and white color optional

Specification

Model	Climate IP4 Pearl/Climate IP4 Black
Power Taps	5/10/20W/OFF
Power at 8ohm	30W
SPL@ 1M	89±2dB
Max SPL@ 1M	104dB
Freq. Response	100-20KHz
Dispersion Angel	Vertical: 180° and Horizontal: 180° (1KHz)
Product Size	240×150×130mm
Installation	Wall Mount
Enclosure Material	ABS enclosure, stainless metal grille & stainless mounting bracket
Weight	1.6kg
Finish	White /Black
Speaker	4.25" weatherproof woofer and 1" silk tweeter



Installation



Bracket Accessories

Split the mounting bracket into 1,2,3, three parts. Fit two six point screws into the mounting slot of the speaker's back (parallel to the wall speaker to help fit the screws)

! When placing speakers horizontally, be careful not to touch and load the front of the speaker with hard facing, otherwise it will deform the front net.

1. Fix the Bracket 1 as shown, tighten the screws according to the installation plan

